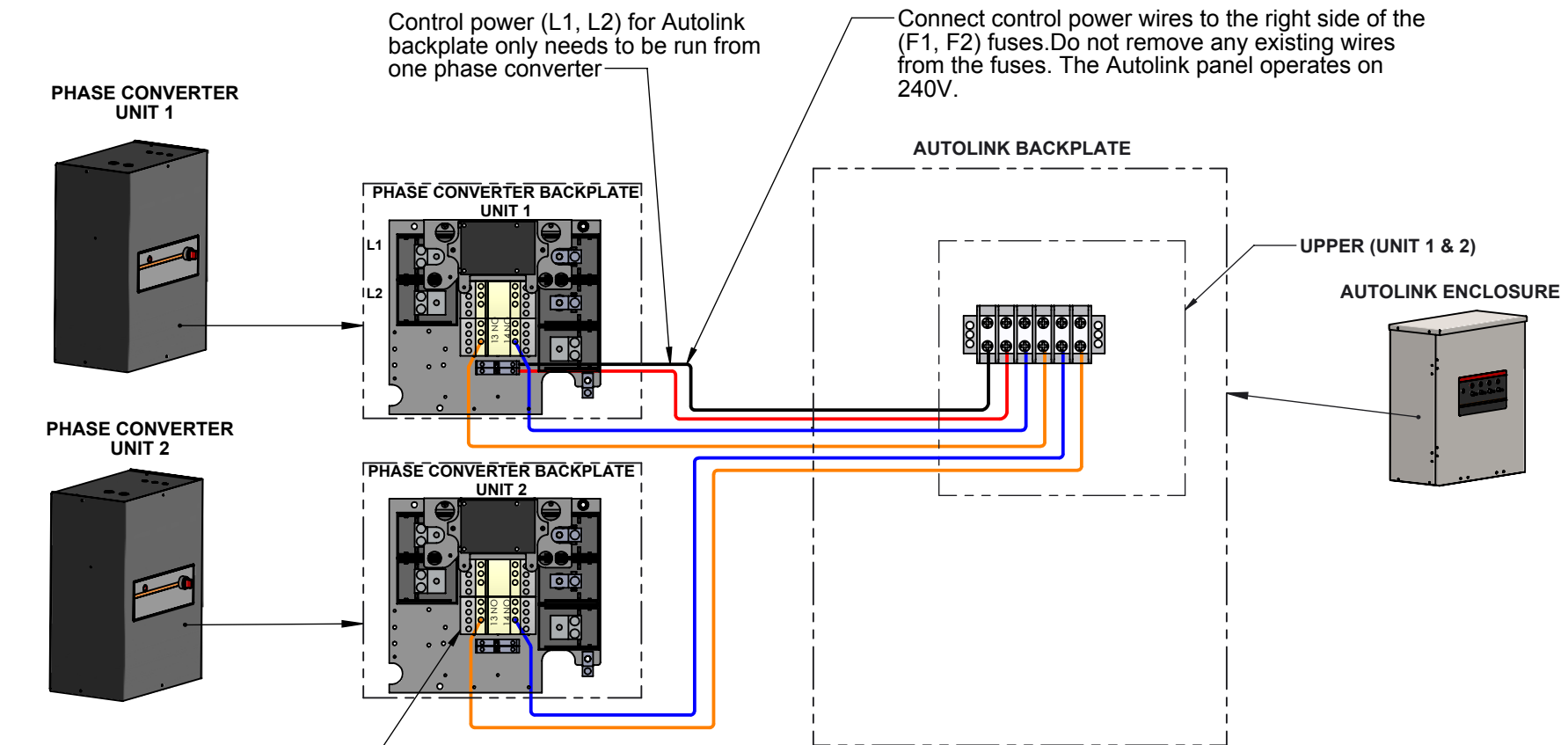


Phase Converter to Autolink Control Wiring (2 units) - Rev B



***Disconnect single phase power before installing or servicing**



*For ADX units, turn all DIP switch settings off from the digital circuit board in each phase converter.

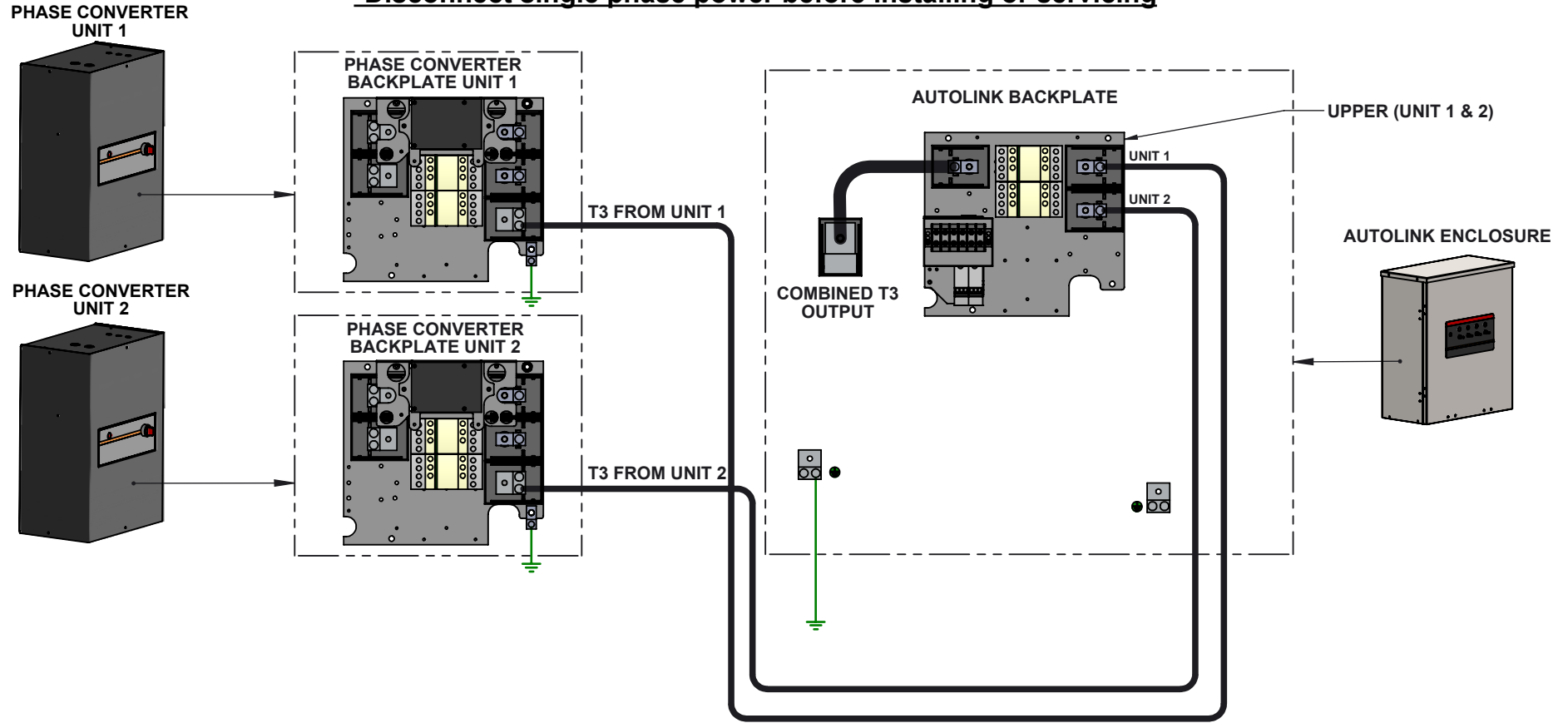
*Minimum of 22GA wire recommended for all control wiring.

*For 5-30 HP phase converters, a second contactor may be required. If the converters you are linking only has one contactor please contact American Rotary before installing.

Phase Converter to Autolink Power Wiring (2 Units) - Rev B

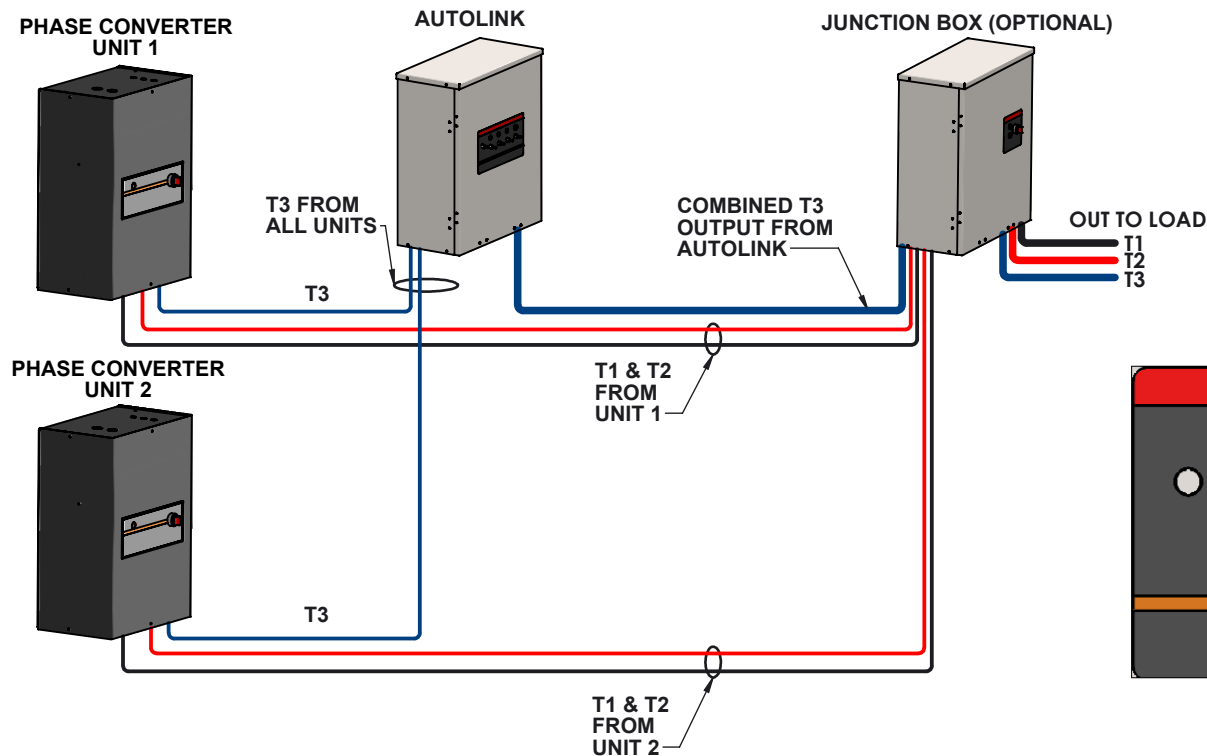


***Disconnect single phase power before installing or servicing**

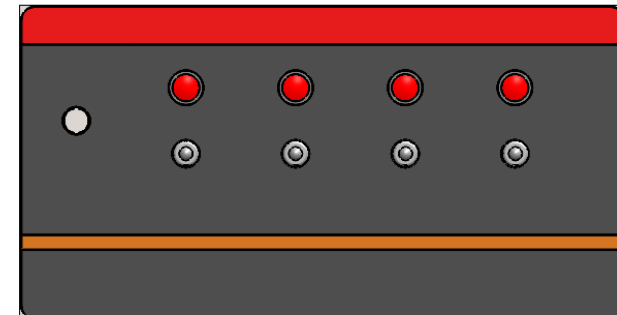


Autolink Operation and Wiring Guide (2 units) - Rev B

***Disconnect single phase power before installing or servicing**



AUTOLINK PANEL DETAIL



OPERATION SEQUENCE:

- Move each join switch into off position. On the Autolink series, the manual position is the same as off. Test each unit for proper operation by using the rotary switch on the phase converter door.
- Move the join switches into the join position. Once each phase converter is switched on, each unit will join the system after the time interval set on the timer, which will be indicated by the "joined" lights on the Autolink panel.
- To shut down the phase converters simply turn off the rotary switch on each phase converter.
- Each phase converter can be removed from the system by moving its join switch into the off position even if the system is running.