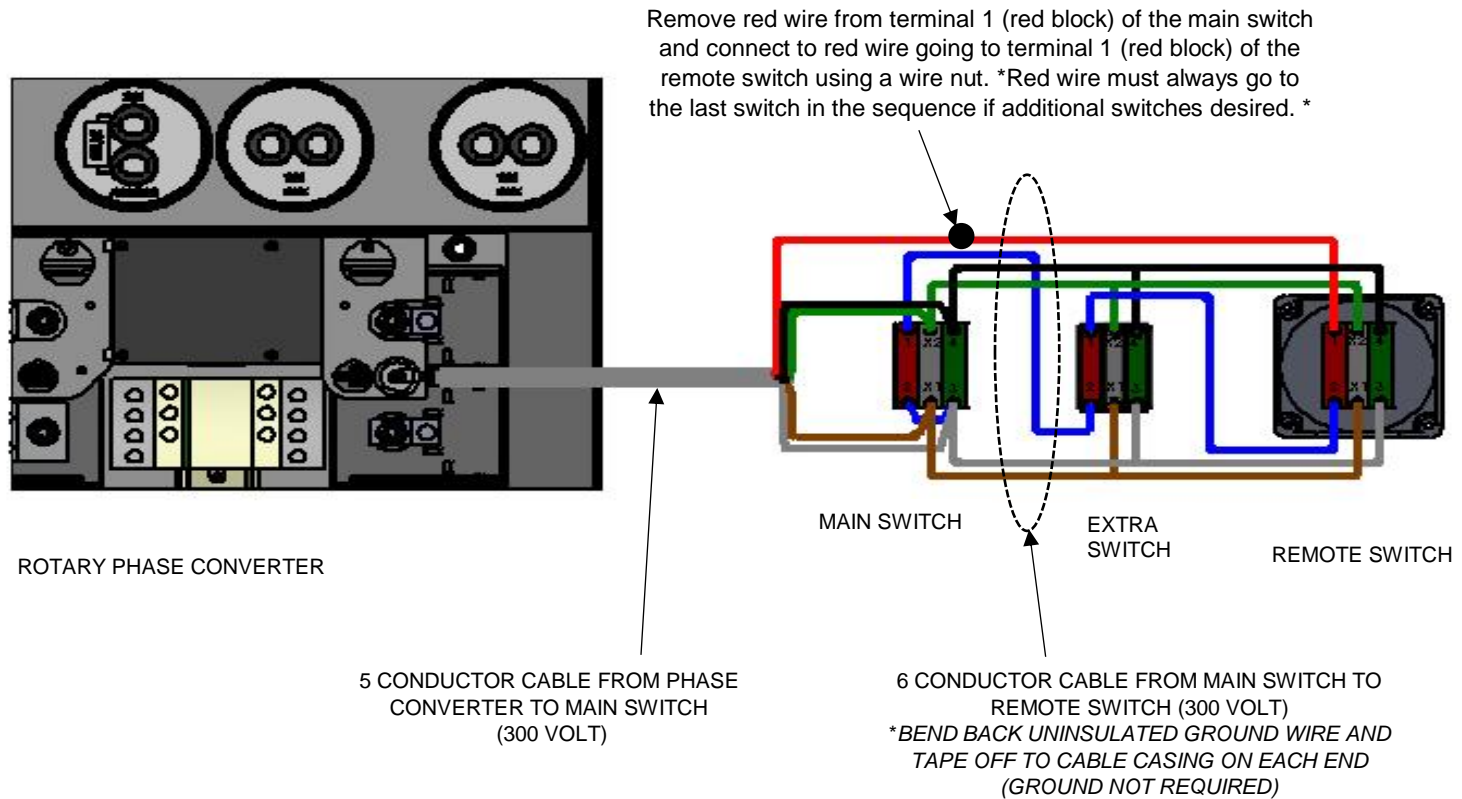


Wired Multi-Remote Start Installation



*Disconnect single phase power before installing or servicing

Red stop switches must be wired in series always while the green start switches and LED's must always be wired in parallel. Follow this rule when adding additional switches.



NOTES:

- Both switches must be left in the run position to allow control from both locations. For example, if the switch on the phase converter is in the stop position, the remote switch will not start it.
- Wiring the switches as shown above will provide starting, stopping, and lamp indicator functions at both locations.
- Use at least 22 gauge wire. Go up a gauge for every 50 feet.

*This schematic is intended as a guide only. All wiring must be done by a licensed electrician familiar with single and three phase wiring and rotary phase converter operation. All wiring must meet or exceed National Electric Codes.