



Hammond
Power Solutions

GUELPH, ONT. BARABOO, WI COMPTON, CA MONTERREY, MX



LR 3902

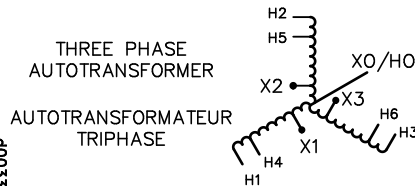


DRY TYPE
TRANSFORMER
252L
E50394

LISTED

THREE PHASE DRY TYPE AUTOTRANSFORMER
AUTOTRANSFORMATEUR SEC TRIPHASÉ

HV/HT	240Y/139V 216Y/125V				Cust. Ref. Réf. du client	
BIL	-				Serial No. No. de série	
TERM. BORNES	H0 H1 H2 H3 H4 H5 H6	Part No. No. de pièce		Y009CECB3LOU		
	VOLTS	CURRENT COURANT	% RATED VOLTAGE % TENSION NOMINALE	CONNECTION EACH PHASE CONNEXION PAR PHASE	kVA	9.0
	240Y/139V 216Y/125V	21.7 24.1		H0 H1-H2-H3 H0 H4-H5-H6	TYPE	QT
LV/BT	208Y/120V		25A		Cooling Refroidissement	ANC
BIL	-				Temp. Rise Echauffement	80 °C
TERM. BORNES	X0 X1 X2 X3	Impédance % @ 100 °C		2.3		
		Encl. Type Type de boîtier		3R		
		Wt LBS Poids en lbs.		49		
		Winding Enroulement		COPPER		



VOLTAGES SHOWN ARE FOR 3 PHASE,
4 WIRE SYSTEMS. NEUTRAL AND GROUND
CONNECTIONS SHOULD BE MADE IN
ACCORDANCE WITH LOCAL ELECTRICAL
CODE AND STANDARDS REQUIREMENTS

0003303b1

HAM3074



Hammond Power
Solutions Inc.

TITLE: 3 PH ENCAPSULATED AUTO TRANSFORMER
NAMEPLATE INFORMATION

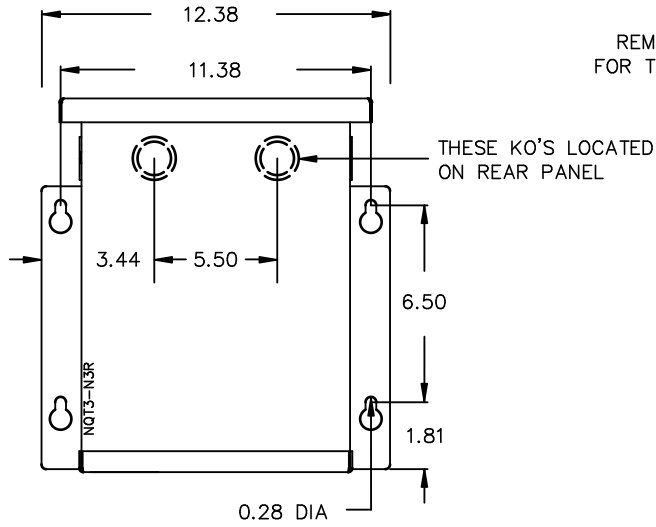
DES:	WWONG		
DATE:	16/08/10		
SCALE:	NTS		
NO.	DATE	BY	REVISION

SHEET 1 OF 2

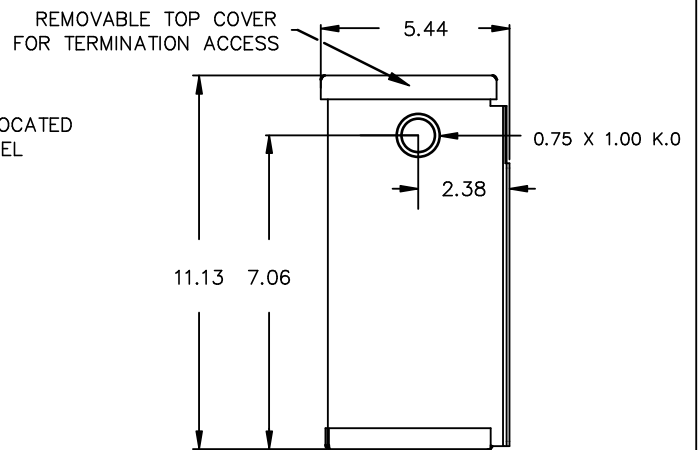
EDB Y009CECB3LOU

0.0 w Wong 2017/07/07 17:36

FRONT VIEW



SIDE VIEW



All Dimensions in inches

ENCLOSURE COLOR : ANSI 61 GREY – OUTDOOR

CUSTOMER NOTES:



TITLE: 3 PH ENCAPSULATED AUTO TRANSFORMER

				DES: WWONG
				DATE: 16/08/10
NO.	DATE	BY	REVISION	SCALE: NTS

SHEET 2 OF 2

EDB Y009CFB310U

0.0 wong 2017/07/07 17:36



Hammond
Power Solutions

GUELPH, ONT. BARABOO, WI COMPTON, CA MONTERREY, MX



LR 3902

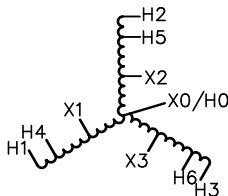


DRY TYPE
TRANSFORMER
252L
E50394

LISTED

THREE PHASE DRY TYPE AUTOTRANSFORMER
AUTOTRANSFORMATEUR SEC TRIPHASE

HV/HT	240Y/139V 216Y/125V				Cust. Ref. Réf. du client	
BIL	-				Serial No. No. de série	
TERM. BORNES	H0 H1 H2 H3 H4 H5 H6	Part No. No. de pièce		Y015CECB3LOU		
	VOLTS	CURRENT COURANT	% RATED VOLTAGE % TENSION NOMINALE	CONNECTION EACH PHASE CONNEXION PAR PHASE	kVA	15
	240Y/139V 216Y/125V	36.1 40.1		H0 H1-H2-H3 H0 H4-H5-H6	TYPE	QT
LV/BT	208Y/120V		41.6A		Cooling Refroidissement	ANC
BIL	-				Temp. Rise Echauffement	80 °C
TERM. BORNES	X0 X1 X2 X3	Impédance % @ 100 °C		2.3		
		Encl. Type Type de boîtier		3R		
		Wt LBS Poids en lbs.		67		
		Winding Enroulement		COPPER		



VOLTAGES SHOWN ARE FOR 3 PHASE,
4 WIRE SYSTEMS. NEUTRAL AND GROUND
CONNECTIONS SHOULD BE MADE IN
ACCORDANCE WITH LOCAL ELECTRICAL
CODE AND STANDARDS REQUIREMENTS

000303b1

HAM3598A



Hammond Power
Solutions Inc.

TITLE: 3 PH ENCAPSULATED AUTO TRANSFORMER
NAMEPLATE INFORMATION

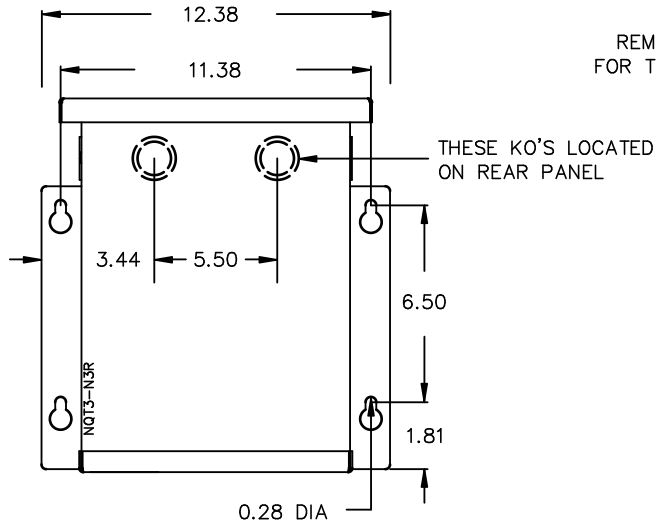
				DES: LCEN
				DATE: 13/02/11
NO.	DATE	BY	REVISION	SCALE: NTS

SHEET 1 OF 2

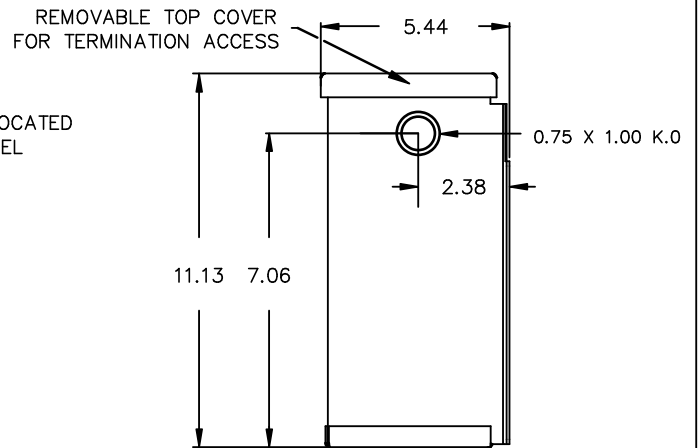
E015CECB3LOU

0.5 wong 2017/07/07 17:44

FRONT VIEW



SIDE VIEW



All Dimensions in inches

ENCLOSURE COLOR : ANSI 61 GREY – OUTDOOR

CUSTOMER NOTES:



TITLE: 3 PH ENCAPSULATED AUTO TRANSFORMER

				DES: LCEN
				DATE: 13/02/11
NO.	DATE	BY	REVISION	SCALE: NTS

SHEET 2 OF 2

EDB Y0156ECB310U

0.5 wong 2017/07/07 17:44



Hammond
Power Solutions

GUELPH, ONT. BARABOO, WI COMPTON, CA MONTERREY, MX



LR 3902



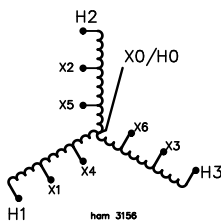
DRY TYPE
TRANSFORMER
252L
E50394

LISTED

THREE PHASE DRY TYPE AUTOTRANSFORMER
AUTOTRANSFORMATEUR SEC TRIPHASE

HV/HT	240Y/139V		72.2A		Cust. Ref. Réf. du client		
BIL	-				Serial No. No. de série		
TERM. BORNES	H0 H1 H2 H3				Part No. No. de pièce	Y030CECF3LOU	
	VOLTS	CURRENT COURANT	% RATED VOLTAGE % TENSION NOMINALE	CONNECTION EACH PHASE CONNEXION PAR PHASE	kVA	30.0	
	208Y/120V 216Y/125V	83.3 80.2		X0 X4-X5-X6 X0 X1-X2-X3	TYPE	QT	
	216Y/125V 208Y/120V				LV/BT		
BIL	-				Encl. Type Type de boîtier	3R	
TERM. BORNES	X0	X1	X2	X3	X4	X5	X6
					Wt LBS Poids en lbs.	115	
					Winding Enroulement	COPPER	

Cooling Refroidissement	ANC
Temp. Rise Echauffement	115 ° C
Temp. Class Classe de Temp.	180 ° C
Frequency Fréquence	60 Hz
Impédance % @ 135 ° C	



VOLTAGES SHOWN ARE FOR 3 PHASE,
4 WIRE SYSTEMS. NEUTRAL AND GROUND
CONNECTIONS SHOULD BE MADE IN
ACCORDANCE WITH LOCAL ELECTRICAL
CODE AND STANDARDS REQUIREMENTS

0003303b1



Hammond Power
Solutions Inc.

TITLE: 3 PH ENCAPSULATED AUTO TRANSFORMER
NAMEPLATE INFORMATION

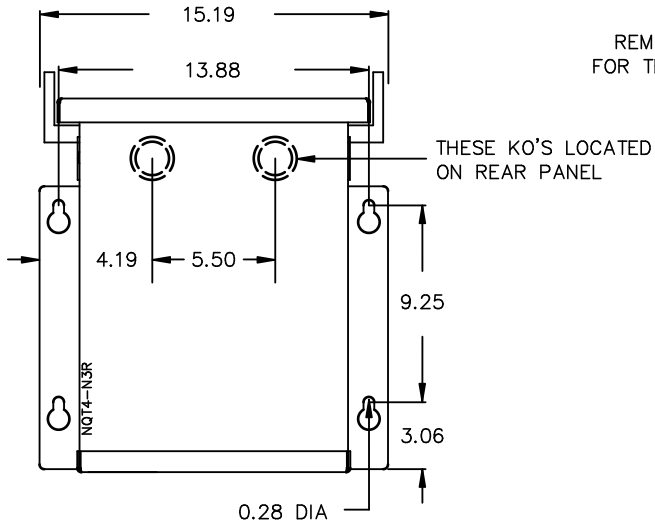
DES:	LCEN		
DATE:	16/02/18		
SCALE:	NTS		
NO.	DATE	BY	REVISION

SHEET 1 OF 2

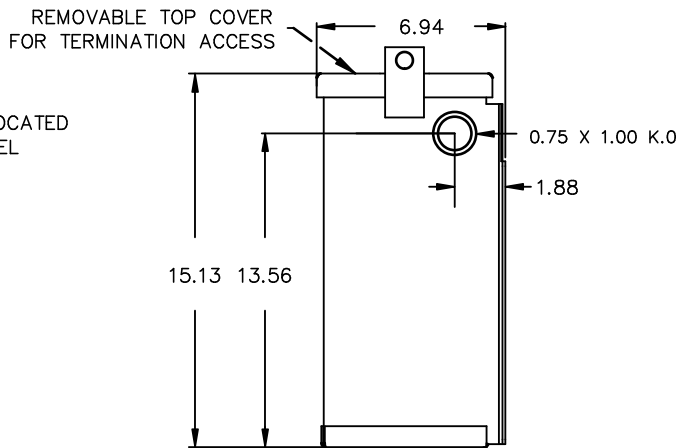
EDB Y030CECF3LOU

0.1 wong 2017/07/07 17:38

FRONT VIEW



SIDE VIEW



All Dimensions in inches

ENCLOSURE COLOR :ANSI 61 GREY – OUTDOOR

CUSTOMER NOTES:



Hammond Power Solutions Inc.

TITLE: 3 PH ENCAPSULATED AUTO TRANSFORMER

				DES: LCEN
				DATE: 16/02/18
NO.	DATE	BY	REVISION	SCALE: NTS

SHEET 2 OF 2

EDB Y030CECF 310U

0.1 wong 2017/07/07 17:38



Hammond
Power Solutions

GUELPH, ONT. BARABOO, WI COMPTON, CA MONTERREY, MX



LR 3902



DRY TYPE
TRANSFORMER
252L
E50394

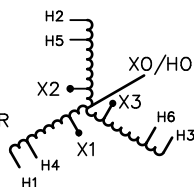
LISTED

THREE PHASE DRY TYPE AUTOTRANSFORMER
AUTOTRANSFORMATEUR SEC TRIPHASÉ

HV/HT	240Y/139V 216Y/125V				Cust. Ref. Réf. du client	
BIL	-				Serial No. No. de série	
TERM. BORNES	H0 H1 H2 H3 H4 H5 H6	Part No. No. de pièce		Y045CECF3LOU		
	VOLTS	CURRENT COURANT	% RATED VOLTAGE % TENSION NOMINALE	CONNECTION EACH PHASE CONNEXION PAR PHASE	kVA	45
	240Y/139V 216Y/125V	108.3 120.3		H0 H1-H2-H3 H0 H4-H5-H6	TYPE	QT
LV/BT	208Y/120V		125A			
BIL	-				Temp. Rise Echauffement	115 °C
TERM. BORNES	X0 X1 X2 X3	Temp. Class Classe de Temp.		180 °C		
		Impédance % @ 135 °C		.55		
		Encl. Type Type de boîtier		3R		
		Wt LBS Poids en lbs.		130		
		Winding Enroulement		COPPER		

THREE PHASE
AUTOTRANSFORMER

AUTOTRANSFORMATEUR
TRIPHASÉ



0003303b1

HAM3074

VOLTAGES SHOWN ARE FOR 3 PHASE,
4 WIRE SYSTEMS. NEUTRAL AND GROUND
CONNECTIONS SHOULD BE MADE IN
ACCORDANCE WITH LOCAL ELECTRICAL
CODE AND STANDARDS REQUIREMENTS



8 03423 13687 1



Hammond Power
Solutions Inc.

TITLE: 3 PH ENCAPSULATED AUTO TRANSFORMER
NAMEPLATE INFORMATION

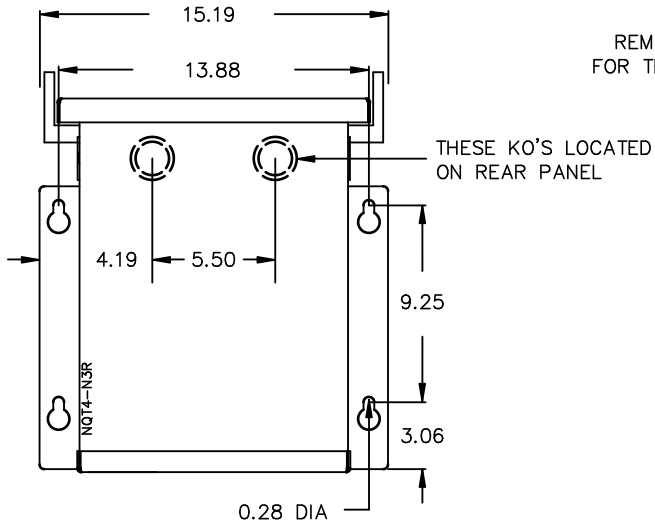
DES:	WWONG		
DATE:	16/08/10		
SCALE:	NTS		
NO.	DATE	BY	REVISION

SHEET 1 OF 2

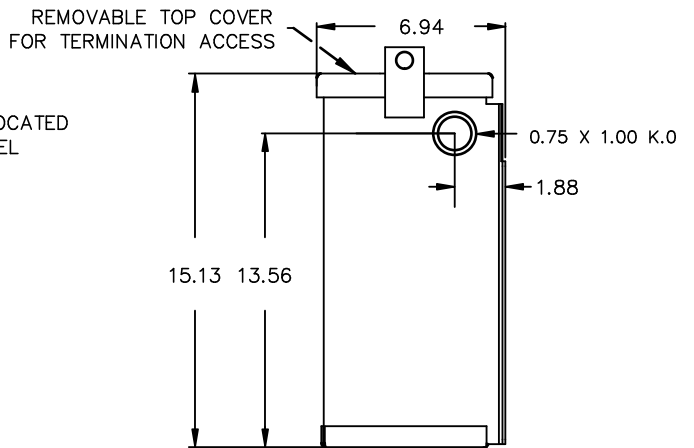
EDB Y045CECF3LOU

0.0 wong 2017/07/07 17:38

FRONT VIEW



SIDE VIEW



All Dimensions in inches

ENCLOSURE COLOR :ANSI 61 GREY – OUTDOOR

CUSTOMER NOTES:



Hammond Power Solutions Inc.

TITLE: 3 PH ENCAPSULATED AUTO TRANSFORMER

				DES: WWONG
				DATE: 16/08/10
NO.	DATE	BY	REVISION	SCALE: NTS

SHEET 2 OF 2

EDB Y045CECF 3100

0.0 w Wong 2017/07/07 17:38



Hammond
Power Solutions

GUELPH, ONT. BARABOO, WI COMPTON, CA MONTERREY, MX

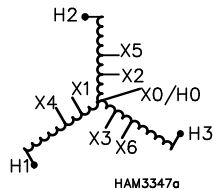


LR 3902
DRY TYPE
TRANSFORMER
77U5
E112313

LISTED

THREE PHASE DRY TYPE AUTOTRANSFORMER
AUTOTRANSFORMATEUR SEC TRIPHASE

HV/HT	240Y/139V			Cust. Ref. Réf. du client	
BIL	-			Serial No. No. de série	
TERM. BORNES	H0 H1 H2 H3			Part No. No. de pièce	Y075CECN3LOU
	VOLTS	CURRENT COURANT	% RATED VOLTAGE % TENSION NOMINALE	CONNECTION EACH PHASE CONNEXION PAR PHASE	kVA
	240Y/139V	180.4		H0 H1 H2 H3	75
	216Y/125V 208Y/120V	200.5 208.2		X0 X4 X5 X6 X0 X1 X2 X3	TYPE K
LV/BT	208Y/120V		216Y/125V		Cooling Refroidissement
BIL	-				ANN
TERM. BORNES	X0 X1 X2 X3 X4 X5 X6				Temp. Rise Echauffement
					130 °C
					Temp. Class Classe de Temp.
					200 °C
					Frequency Fréquence
					60 Hz
					Impédance % @ 150 °C
					.7
					Encl. Type Type de boîtier
					3R
					Wt LBS Poids en lbs.
					145
					Winding Enroulement
					CU



SPACINGS BETWEEN ANY VENTILATED ENCLOSURE PANEL AND ANY ADJACENT WALL SHALL BE A MINIMUM OF 5 INCHES

0003302b

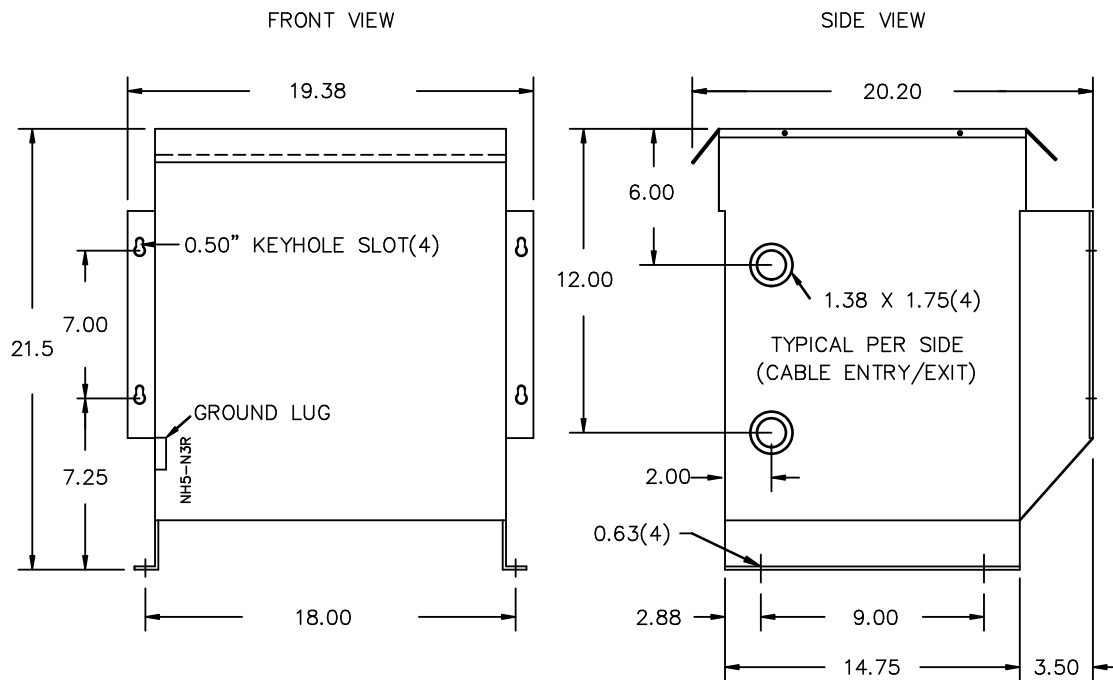


8 03423 13772 4



Hammond Power
Solutions Inc.

TITLE:		3PH AUTO TRANSFORMER.		SHEET 1 OF 2	
		NAMEPLATE INFORMATION		EDB Y075CECN3LOU	
2	17/11/28	DC	REVISED DWGS(HCN 67025)	DES:	DCORTEZ
1	17/09/11	DC	REVISED DWGS	DATE:	12/10/10
NO.	DATE	BY	REVISION	SCALE:	NTS



All Dimensions in inches

ENCLOSURE COLOR : ANSI-61 GREY PAINT OUTDOOR.

HV TERMINAL DETAIL

LV TERMINAL DETAIL

MECHANICAL TYPE LUGS INCLUDED
SUITABLE FOR 350MCM-6 CU/AL
CONDUCTORS
1 CONDUCTOR PER PHASE

MECHANICAL TYPE LUGS INCLUDED
SUITABLE FOR 600MCM-2 CU/AL
CONDUCTORS
1 CONDUCTOR PER PHASE

CUSTOMER NOTES:

- HV TERMINATED AT TOP FRONT
- LV TERMINATED AT BOTTOM FRONT



TITLE: 3PH AUTO TRANSFORMER.

2	17/11/28	DC	REVISED DWGS(HCN 67025)	DES: DCORTEZ
1	17/09/11	DC	REVISED DWGS	DATE: 12/10/10
NO.	DATE	BY	REVISION	SCALE: NTS

SHEET 2 OF 2

EDB Y075CFE CN3100

2.0 dcortez 2017/11/28 17:55