



Hammond
Power Solutions

GUELPH, ONT. BARABOO, WI COMPTON, CA MONTERREY, MX



LR 3902



DRY TYPE
TRANSFORMER
252L
E50394

LISTED

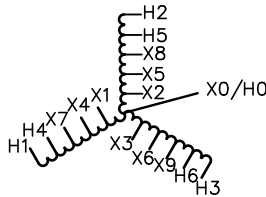
THREE PHASE DRY TYPE AUTOTRANSFORMER
AUTOTRANSFORMATEUR SEC TRIPHASE

HV/HT	600Y/346V 480Y/277V				Cust. Ref. Réf. du client	
BIL	-				Serial No. No. de série	
TERM. BORNES	H0 H1 H2 H3 H4 H5 H6	Part No. No. de pièce				Y009QTCF3LOU
	VOLTS	CURRENT COURANT	% RATED VOLTAGE % TENSION NOMINALE	CONNECTION EACH PHASE CONNEXION PAR PHASE	kVA	9
	600Y/346V 480Y/277V	8.7 10.8		H0 H1-H2-H3 H0 H4-H5-H6	TYPE	QT
	400Y/231V 240Y/139V 208Y/120V	13.0 21.7 25.0		X0 X7-X8-X9 X0 X4-X5-X6 X0 X1-X2-X3	Cooling Refroidissement	ANC
LV/BT	208Y/120V 400Y/231V	240Y/139V			Temp. Rise Echauffement	115 °C
BIL	-				Temp. Class Classe de Temp.	180 °C
TERM. BORNES	X0 X1 X2 X3 X4 X5 X6 X7 X8 X9	Impédance % @ 135 °C				2.2
		Encl. Type Type de boîtier				3R
		Wt LBS Poids en lbs.				138
		Winding Enroulement				COPPER

VOLTAGES SHOWN ARE FOR 3 PHASE,
4 WIRE SYSTEMS. NEUTRAL AND GROUND
CONNECTIONS SHOULD BE MADE IN
ACCORDANCE WITH LOCAL ELECTRICAL
CODE AND STANDARDS REQUIREMENTS

0003303b1

HAM3656



Hammond Power
Solutions Inc.

TITLE: 3 PH ENCAPSULATED AUTO TRANSFORMER
NAMEPLATE INFORMATION

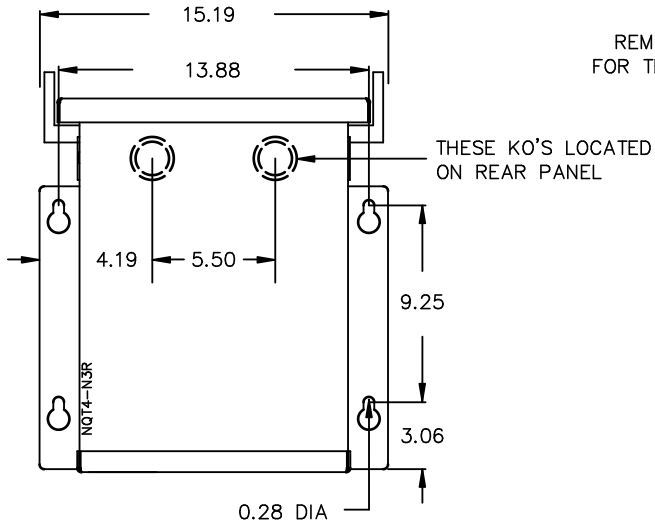
DES:	WWONG		
DATE:	16/08/10		
SCALE:	NTS		
NO.	DATE	BY	REVISION

SHEET 1 OF 2

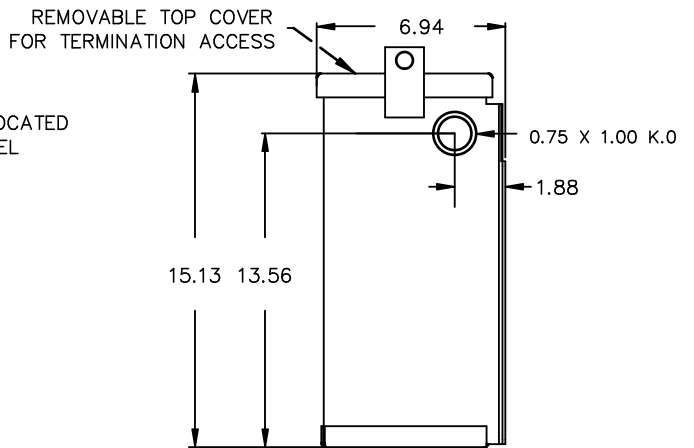
E0B Y009QTCF3LOU

O.O. wong 2017/07/07 18:13

FRONT VIEW



SIDE VIEW



All Dimensions in inches

ENCLOSURE COLOR :ANSI 61 GREY – OUTDOOR

CUSTOMER NOTES:



TITLE: 3 PH ENCAPSULATED AUTO TRANSFORMER

				DES: WWONG
				DATE: 16/08/10
NO.	DATE	BY	REVISION	SCALE: NTS

SHEET 2 OF 2

EDB Y009Q1CF 310U

0.0 w Wong 2017/07/07 18:13



Hammond
Power Solutions

GUELPH, ONT. BARABOO, WI COMPTON, CA MONTERREY, MX



LR 3902



DRY TYPE
TRANSFORMER
252L
E50394

LISTED

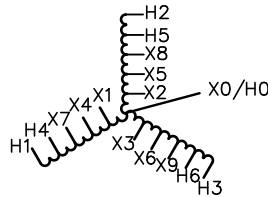
THREE PHASE DRY TYPE AUTOTRANSFORMER
AUTOTRANSFORMATEUR SEC TRIPHASE

HV/HT	600Y/346V 480Y/277V				Cust. Ref. Réf. du client	
BIL	-				Serial No. No. de série	
TERM. BORNES	H0 H1 H2 H3 H4 H5 H6				Part No. No. de pièce	Y015QTCF3LOU
	VOLTS	CURRENT COURANT	% RATED VOLTAGE % TENSION NOMINALE	CONNECTION EACH PHASE CONNEXION PAR PHASE	kVA	15
	600Y/346V 480Y/277V	14.4 18.0		H0 H1-H2-H3 H0 H4-H5-H6	TYPE	QT
	400Y/231V 240Y/139V 208Y/120V	21.7 36.1 41.6		X0 X7-X8-X9 X0 X4-X5-X6 X0 X1-X2-X3	Cooling Refroidissement	ANC
LV/BT	208Y/120V 240Y/139V 400Y/231V				Temp. Rise Echauffement	115 °C
BIL	-				Temp. Class Classe de Temp.	180 °C
TERM. BORNES	X0 X1 X2 X3 X4 X5 X6 X7 X8 X9				Frequency Fréquence	60 Hz
					Impédance % @ 135 °C	2.0
					Encl. Type Type de boîtier	3R
					Wt LBS Poids en lbs.	170
					Winding Enroulement	COPPER

VOLTAGES SHOWN ARE FOR 3 PHASE,
4 WIRE SYSTEMS. NEUTRAL AND GROUND
CONNECTIONS SHOULD BE MADE IN
ACCORDANCE WITH LOCAL ELECTRICAL
CODE AND STANDARDS REQUIREMENTS

D003303b1

HAM3656



8 03423 13776 2



Hammond Power
Solutions Inc.

TITLE: 3 PH ENCAPSULATED AUTO TRANSFORMER
NAMEPLATE INFORMATION

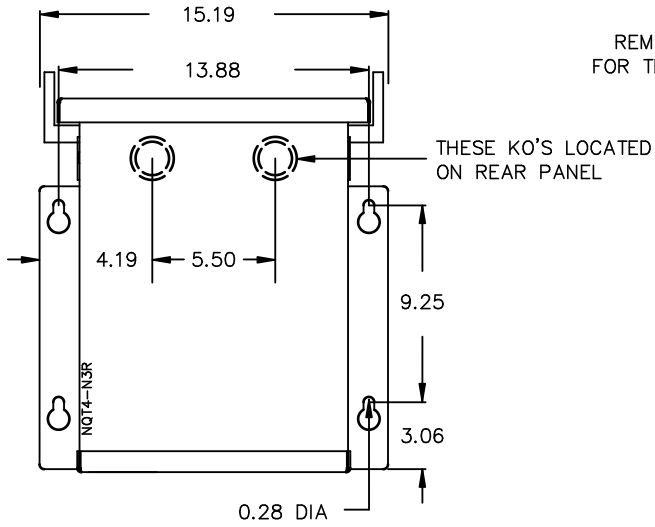
				DES: RBHATIA
				DATE: 10/07/08
NO.	DATE	BY	REVISION	SCALE: NTS

SHEET 1 OF 2

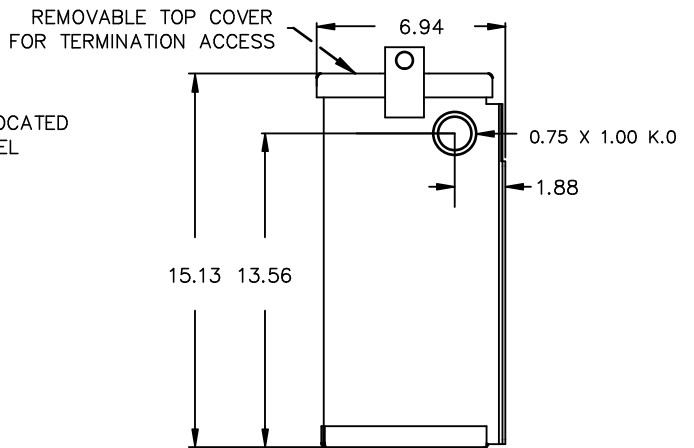
E0B Y015QTCF3LOU

0.2 wong 2017/07/07 16:48

FRONT VIEW



SIDE VIEW



All Dimensions in inches

ENCLOSURE COLOR : ANSI 61 GREY – OUTDOOR

CUSTOMER NOTES:



Hammond Power Solutions Inc.

TITLE: 3 PH ENCAPSULATED AUTO TRANSFORMER

				DES: RBHATIA
				DATE: 10/07/08
NO.	DATE	BY	REVISION	SCALE: NTS

SHEET 2 OF 2

EDB Y0150TCTCF310U

0.2 wong 2017/07/07 16:48



Hammond
Power Solutions

GUELPH, ONT. BARABOO, WI COMPTON, CA MONTERREY, MX

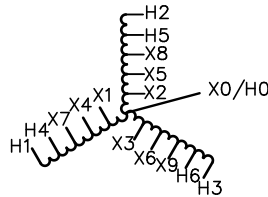


LR 3902
DRY TYPE
TRANSFORMER
77U5
E112313

LISTED

THREE PHASE DRY TYPE AUTOTRANSFORMER
AUTOTRANSFORMATEUR SEC TRIPHASE

HV/HT	600Y/346V 480Y/277V			Cust. Ref. Réf. du client	
BIL	-			Serial No. No. de série	
TERM. BORNES	H0 H1 H2 H3 H4 H5 H6			Part No. No. de pièce	Y030QTCF3LOU
	VOLTS	CURRENT COURANT	% RATED VOLTAGE % TENSION NOMINALE	CONNECTION EACH PHASE CONNEXION PAR PHASE	kVA
	600Y/346V 480Y/277V	28.9 36.1		H0 H1 H2 H3 H0 H4 H5 H6	30
	400Y/231V 240Y/139V 208Y/120V	43.3 72.2 83.3		X0 X7 X8 X9 X0 X4 X5 X6 X0 X1 X2 X3	TYPE
					K
					Cooling Refroidissement
					ANN
					Temp. Rise Echauffement
					115 °C
					Temp. Class Classe de Temp.
					200 °C
					Frequency Fréquence
					60 Hz
					Impédance % @ 135 °C
					3.1
LV/BT	208Y/120V 240Y/139V 400Y/231V			Encl. Type Type de boîtier	3R
BIL	-			Wt LBS Poids en lbs.	205
TERM. BORNES	X0 X1 X2 X3 X4 X5 X6 X7 X8 X9			Winding Enroulement	CU



000302b1

HAM3656

SPACINGS BETWEEN ANY VENTILATED ENCLOSURE PANEL AND ANY ADJACENT WALL SHALL BE A MINIMUM OF 3 INCHES

VOLTAGES SHOWN ARE FOR 3 PHASE, 4 WIRE SYSTEMS. NEUTRAL AND GROUND CONNECTIONS SHOULD BE MADE IN ACCORDANCE WITH LOCAL ELECTRICAL CODE AND STANDARDS REQUIREMENTS



Hammond Power
Solutions Inc.

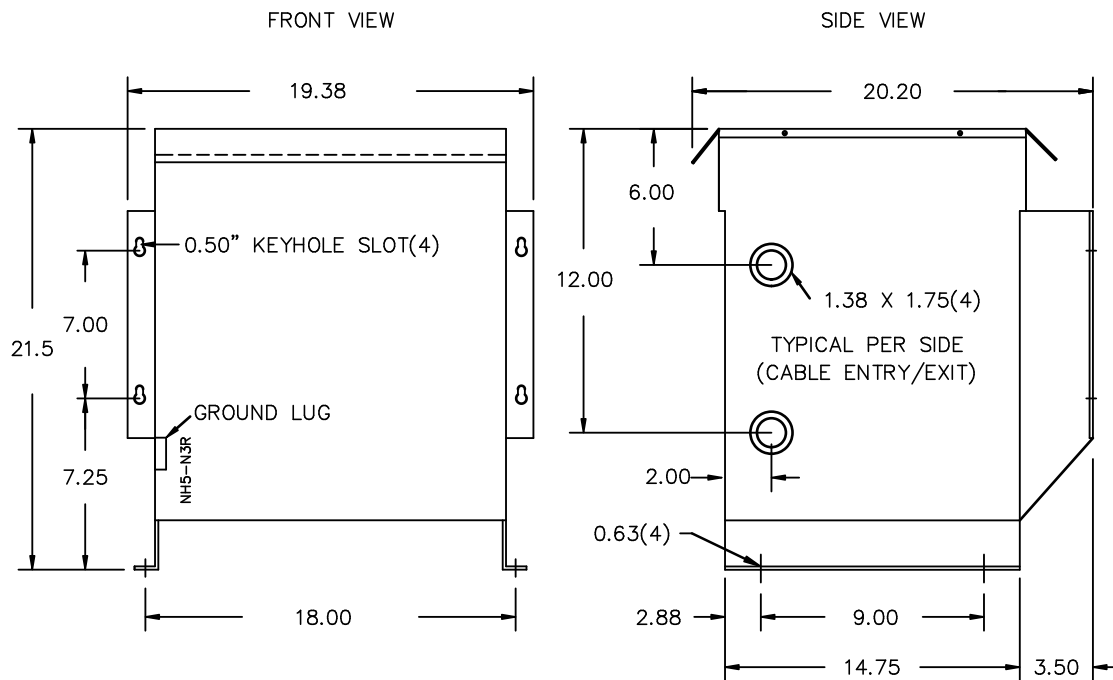
TITLE: 3PH AUTO TRANSFORMER
NAMEPLATE INFORMATION

				DES: GPATEL
				DATE: 17/10/11
NO.	DATE	BY	REVISION	SCALE: NTS

SHEET 1 OF 2

EDB Y030QTCF3LOU

0.0 gpatei 2017/10/11 16:07



All Dimensions in inches

ENCLOSURE COLOR : ANSI-61 GREY PAINT OUTDOOR.

H123 TERMINAL DETAIL

X0123 TERMINAL DETAIL

H456 TERMINAL DETAIL

X0456 TERMINAL DETAIL

MECHANICAL TYPE LUGS INCLUDED
SUITABLE FOR #14-2 CU/AL
CONDUCTORS
1 CONDUCTOR PER PHASE

MECHANICAL TYPE LUGS INCLUDED
SUITABLE FOR #2/0-14 CU/AL
CONDUCTORS
1 CONDUCTOR PER PHASE

MECHANICAL TYPE LUGS INCLUDED
SUITABLE FOR #14-2 CU/AL
CONDUCTORS
1 CONDUCTOR PER PHASE

MECHANICAL TYPE LUGS INCLUDED
SUITABLE FOR #14-2 CU/AL
CONDUCTORS
1 CONDUCTOR PER PHASE

CUSTOMER NOTES:

- H123 TERMINATED AT TOP FRONT
- X0123 TERMINATED AT BOTTOM FRONT
- H456 TERMINATED AT TOP FRONT
- X0456 TERMINATED AT BOTTOM FRONT
- X789 TERMINATED AT TOP FRONT WITH SAME X0456 TERMINAL DETAIL
- X0/HO IS A COMMON TERMINAL AT BOTTOM FRONT



TITLE: 3PH AUTO TRANSFORMER

				DES: GPATEL
				DATE: 17/10/11
NO.	DATE	BY	REVISION	SCALE: NTS

SHEET 2 OF 2

EDB Y030Q1CF 310U

0.0 gpatei 2017/10/11 16:07



Hammond
Power Solutions

GUELPH, ONT. BARABOO, WI COMPTON, CA MONTERREY, MX

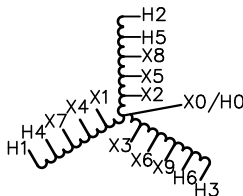


LR 3902
DRY TYPE
TRANSFORMER
77US
E112313

LISTED

THREE PHASE DRY TYPE AUTOTRANSFORMER
AUTOTRANSFORMATEUR SEC TRIPHASE

HV/HT	600Y/346V 480Y/277V			Cust. Ref. Réf. du client	
BIL	-			Serial No. No. de série	
TERM. BORNES	H0 H1 H2 H3 H4 H5 H6			Part No. No. de pièce	Y045QTCH3LOU
	VOLTS	CURRENT COURANT	% RATED VOLTAGE % TENSION NOMINALE	CONNECTION EACH PHASE CONNEXION PAR PHASE	kVA
	600Y/346 480Y/277	43.3 54.1		H0 H1 H2 H3 H0 H4 H5 H6	45
	400Y/231 240Y/139 208Y/120	65.0 108.3 124.9		X0 X7 X8 X9 X0 X4 X5 X6 X0 X1 X2 X3	TYPE
					K
					Cooling Refroidissement
					ANN
					Temp. Rise Echauffement
					150 °C
					Temp. Class Classe de Temp.
					220 °C
					Frequency Fréquence
					60 Hz
					Impédance % @ 170 °C
					2.2
LV/BT	208Y/120V 240Y/139V 400Y/231V			Encl. Type Type de boîtier	3R
BIL	-			Wt LBS Poids en lbs.	305
TERM. BORNES	X0 X1 X2 X3 X4 X5 X6 X7 X8 X9			Winding Enroulement	CU



000302b1

HAM3891

SPACINGS BETWEEN ENCLOSURE AND ANY ADJACENT WALL SHALL BE A MINIMUM OF 3 INCHES

VOLTAGES SHOWN ARE FOR 3 PHASE, 4 WIRE SYSTEMS. NEUTRAL AND GROUND CONNECTIONS SHOULD BE MADE IN ACCORDANCE WITH LOCAL ELECTRICAL CODE AND STANDARDS REQUIREMENTS



8 03423 13778 6



Hammond Power
Solutions Inc.

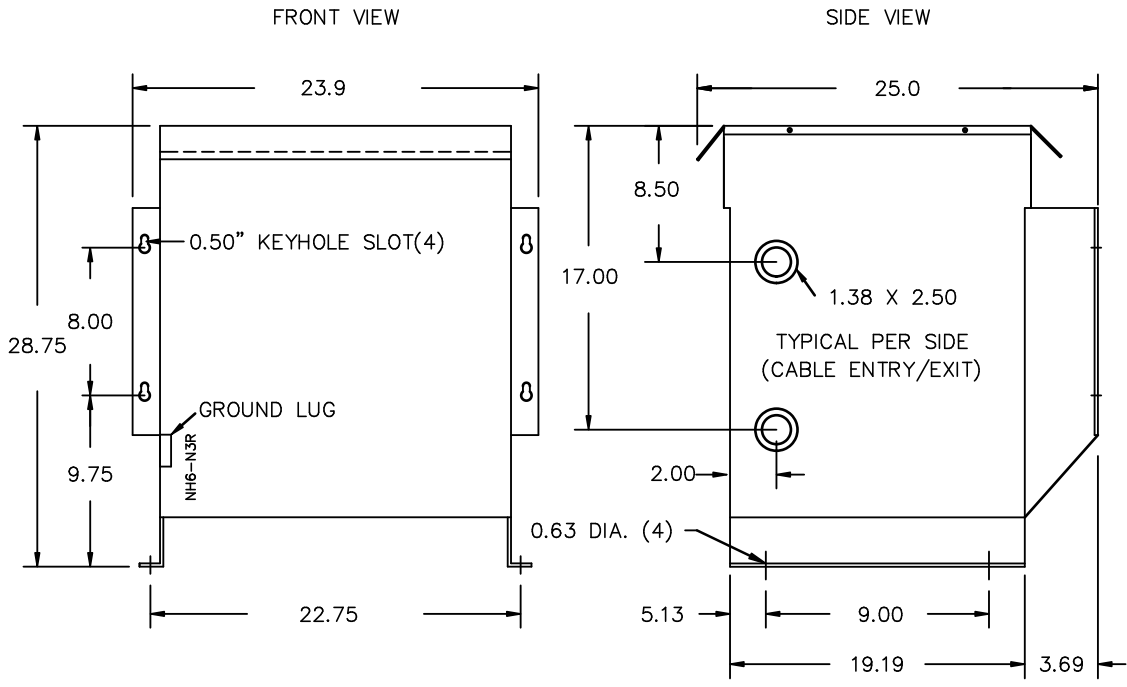
TITLE: 3PH AUTO TRANSFORMER
NAMEPLATE INFORMATION

1	15/04/16	DC	ADD LUG NOTES SH 2	DES: MCHRISM
NO.	DATE	BY	REVISION	SCALE: NTS

SHEET 1 OF 2

EDB Y045QTCH3LOU

1.1 wong 2017/07/07 18:16



All Dimensions in inches

ENCLOSURE COLOR : ANSI 61 GREY – OUTDOOR

H1-H6 TERMINAL DETAIL X1-X6 TERMINAL DETAIL X7,X8,X9 TERMINAL DETAIL XO/HO TERMINAL DETAIL

MECHANICAL TYPE LUGS INCLUDED
SUITABLE FOR #14-2 CU/AL
CONDUCTORS
1 CONDUCTOR PER PHASE

MECHANICAL TYPE LUGS INCLUDED
SUITABLE FOR 250MCM-6 CU/AL
CONDUCTORS
1 CONDUCTOR PER PHASE

MECHANICAL TYPE LUGS INCLUDED
SUITABLE FOR #14-2 CU/AL
CONDUCTORS
1 CONDUCTOR PER PHASE

MECHANICAL TYPE LUGS INCLUDED
SUITABLE FOR 250MCM-6 CU/AL
CONDUCTORS
1 CONDUCTOR PER PHASE

CUSTOMER NOTES:

- H1-H6 TERMINATED AT TOP FRONT
- X1-X6 TERMINATED AT BOTTOM FRONT
- X7,X8,X9 TERMINATED AT TOP FRONT
- XO/HO TERMINATED AT BOTTOM FRONT
- XO/HO IS A COMMON TERMINAL



TITLE: 3PH AUTO TRANSFORMER				
1	15/04/16	DC	ADD LUG NOTES SH 2	DES: MCHRISTM
				DATE: 11/12/08
NO.	DATE	BY	REVISION	SCALE: NTS

SHEET 2 OF 2

EDB Y0450TCH 3100

1.1 w Wong 2017/07/07 18:16



Hammond
Power Solutions

GUELPH, ONT. BARABOO, WI COMPTON, CA MONTERREY, MX

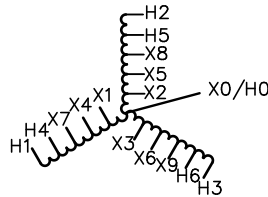


® LR 3902
DRY TYPE
TRANSFORMER
77U5
E112313

LISTED

THREE PHASE DRY TYPE AUTOTRANSFORMER
AUTOTRANSFORMATEUR SEC TRIPHASE

HV/HT	600Y/346V 480Y/277V			Cust. Ref. Réf. du client	
BIL	-			Serial No. No. de série	
TERM. BORNES	H0 H1 H2 H3 H4 H5 H6			Part No. No. de pièce	Y075QTCH3LOU
	VOLTS	CURRENT COURANT	% RATED VOLTAGE % TENSION NOMINALE	CONNECTION EACH PHASE CONNEXION PAR PHASE	kVA
	600Y/346V 480Y/277V	72.2 90.2		H0 H1 H2 H3 H0 H4 H5 H6	75
	400Y/231V 240Y/139V 208Y/120V	108.3 180.4 208.2		X0 X7 X8 X9 X0 X4 X5 X6 X0 X1 X2 X3	TYPE
					K
					Cooling Refroidissement
					ANN
					Temp. Rise Echauffement
					150 °C
					Temp. Class Classe de Temp.
					220 °C
					Frequency Fréquence
					60 Hz
					Impédance % @ 170 °C
					2.5
LV/BT	208Y/120V 240Y/139V 400Y/231V			Encl. Type Type de boîtier	3R
BIL	-			Wt LBS Poids en lbs.	400
TERM. BORNES	X0 X1 X2 X3 X4 X5 X6 X7 X8 X9			Winding Enroulement	CU



0003302b1

HAM3656

SPACINGS BETWEEN ANY VENTILATED ENCLOSURE PANEL AND ANY ADJACENT WALL SHALL BE A MINIMUM OF 5 INCHES EXCEPT WHEN WALL MOUNTED USING HPS WALL MOUNTING KIT

VOLTAGES SHOWN ARE FOR 3 PHASE, 4 WIRE SYSTEMS. NEUTRAL AND GROUND CONNECTIONS SHOULD BE MADE IN ACCORDANCE WITH LOCAL ELECTRICAL CODE AND STANDARDS REQUIREMENTS



8 03423 13698 7



Hammond Power
Solutions Inc.

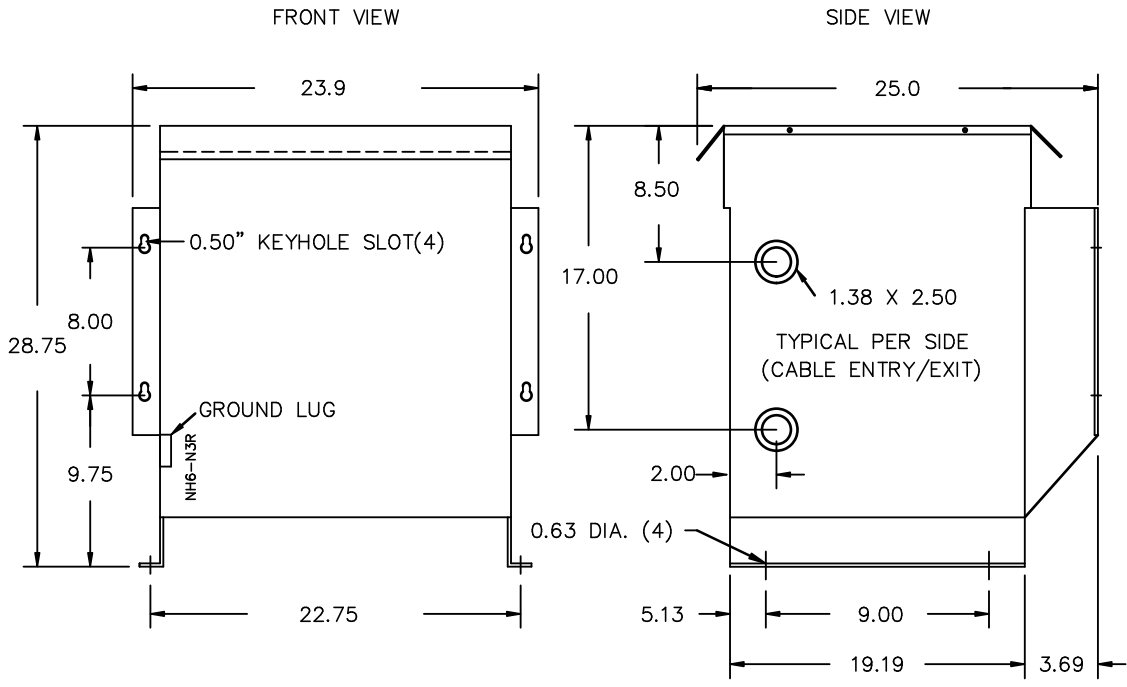
TITLE: 3PH AUTO TRANSFORMER
NAMEPLATE INFORMATION

				DES: RMOVVA
				DATE: 10/04/13
NO.	DATE	BY	REVISION	SCALE: NTS

SHEET 1 OF 2

EDB Y075QTCH3LOU

0.1 wong 2017/07/07 14:41



All Dimensions in inches

ENCLOSURE COLOR : ANSI 61 GREY – OUTDOOR

H.V.1. TERMINAL DETAIL

L.V.1. TERMINAL DETAIL

H.V.2. TERMINAL DETAIL

L.V.2. TERMINAL DETAIL

MECHANICAL TYPE LUGS INCLUDED
SUITABLE FOR #2/0-14 CU/AL
CONDUCTORS
1 CONDUCTOR PER PHASE

MECHANICAL TYPE LUGS INCLUDED
SUITABLE FOR 600MCM-2 CU/AL
CONDUCTORS
1 CONDUCTOR PER PHASE

MECHANICAL TYPE LUGS INCLUDED
SUITABLE FOR #2/0-14 CU/AL
CONDUCTORS
1 CONDUCTOR PER PHASE

MECHANICAL TYPE LUGS INCLUDED
SUITABLE FOR 600MCM-2 CU/AL
CONDUCTORS
1 CONDUCTOR PER PHASE

CUSTOMER NOTES:

- HV1 TERMINATED AT TOP FRONT
- LV1 TERMINATED AT BOTTOM FRONT
- HV2 TERMINATED AT TOP FRONT
- LV2 TERMINATED AT BOTTOM FRONT
- LV3 TERMINATED AT TOP FRONT



TITLE: 3PH AUTO TRANSFORMER

				DES: RMOVVA
				DATE: 10/04/13
NO.	DATE	BY	REVISION	SCALE: NTS

SHEET 2 OF 2

EDB Y0750TCH310U

0.1 w Wong 2017/07/07 14:41



Hammond
Power Solutions

GUELPH, ONT. BARABOO, WI COMPTON, CA MONTERREY, MX

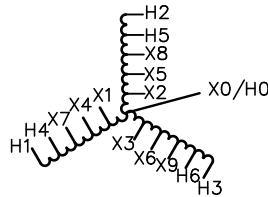


® LR 3902
DRY TYPE
TRANSFORMER
77U5
E112513

LISTED

THREE PHASE DRY TYPE AUTOTRANSFORMER
AUTOTRANSFORMATEUR SEC TRIPHASÉ

HV/HT	600Y/346V 480Y/277V			Cust. Ref. Réf. du client	
BIL	-			Serial No. No. de série	
TERM. BORNES	H0 H1 H4 H2 H5 H3 H6			Part No. No. de pièce	Y112QTCH3LOU
	VOLTS	CURRENT COURANT	% RATED VOLTAGE % TENSION NOMINALE	CONNECTION EACH PHASE CONNEXION PAR PHASE	kVA
	600Y/346V 480Y/277V	108.3 135		H0 H1 H2 H3 H0 H4 H5 H6	112.5
	400Y/231V 240Y/139V 208Y/120V	162.3 270.6 312.3		X0 X7 X8 X9 X0 X4 X5 X6 X0 X1 X2 X3	TYPE
					K
					Cooling Refroidissement
					ANN
					Temp. Rise Echauffement
					150 °C
					Temp. Class Classe de Temp.
					220 °C
					Frequency Fréquence
					60 Hz
					Impédance % @ 170 °C
					2.6
LV/BT	208Y/120V 240Y/139V 400Y/231V			Encl. Type Type de boîtier	3R
BIL	-			Wt LBS Poids en lbs.	585
TERM. BORNES	X0 X1 X4 X7 X2 X5 X8 X3 X6 X9			Winding Enroulement	CU



0003302b1

HAM3656

SPACINGS BETWEEN ANY VENTILATED ENCLOSURE PANEL AND ANY ADJACENT WALL SHALL BE A MINIMUM OF 5 INCHES EXCEPT WHEN WALL MOUNTED USING APPROVED WALL MOUNTING KIT

VOLTAGES SHOWN ARE FOR 3 PHASE, 4 WIRE SYSTEMS. NEUTRAL AND GROUND CONNECTIONS SHOULD BE MADE IN ACCORDANCE WITH LOCAL ELECTRICAL CODE AND STANDARDS REQUIREMENTS



8 03423 13779 3



Hammond Power
Solutions Inc.

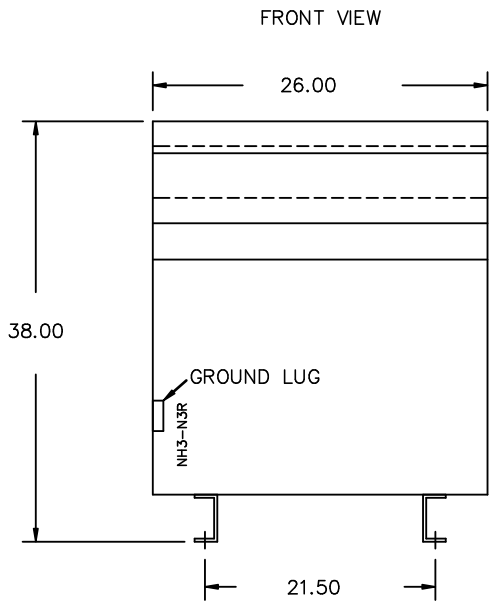
TITLE: 3PH AUTO TRANSFORMER
NAMEPLATE INFORMATION

1	15/12/21	GP	CHANGED NPL VER:	DES: RMOVVA
				DATE: 13/02/19
NO.	DATE	BY	REVISION	SCALE: NTS

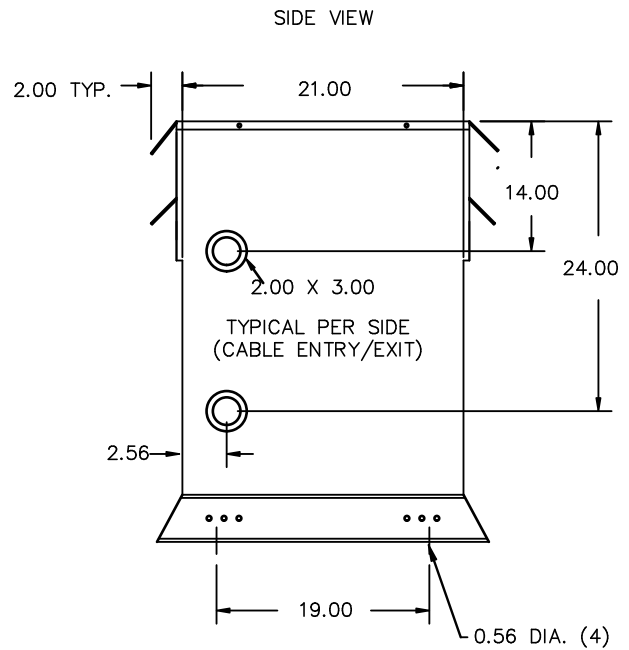
SHEET 1 OF 2

EDBY112QTCH3LOU

1.0 wong 2017/07/07 14:34



All Dimensions in inches



ENCLOSURE COLOR :ANSI 61 GREY- OUTDOOR

H.V.1. TERMINAL DETAIL

L.V.1. TERMINAL DETAIL

L.V.2. TERMINAL DETAIL

MECHANICAL TYPE LUGS INCLUDED
SUITABLE FOR 250MCM-6 CU/AL
CONDUCTORS
1 CONDUCTOR PER PHASE

MECHANICAL TYPE LUGS INCLUDED
SUITABLE FOR 350MCM-6 CU/AL
CONDUCTORS
2 CONDUCTORS PER PHASE

MECHANICAL TYPE LUGS INCLUDED
SUITABLE FOR 600MCM-2 CU/AL
CONDUCTORS
1 CONDUCTOR PER PHASE

CUSTOMER NOTES:

- HV1 TERMINATED AT TOP FRONT
- LV1 TERMINATED AT BOTTOM FRONT
- LV2 TERMINATED AT BOTTOM FRONT



TITLE:		3PH AUTO TRANSFORMER		
1	15/12/21	GP	CHANGED NPL VER:	DES: RMOVVA
NO.	DATE	BY	REVISION	SCALE: NTS

SHEET 2 OF 2

EDBY1120TCH3LOU

1.0 wong 2017/07/07 14:34