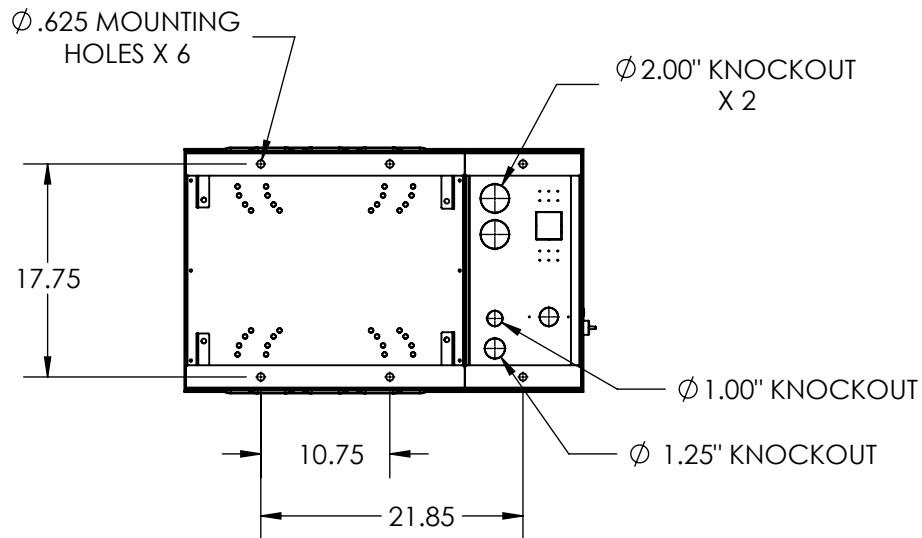
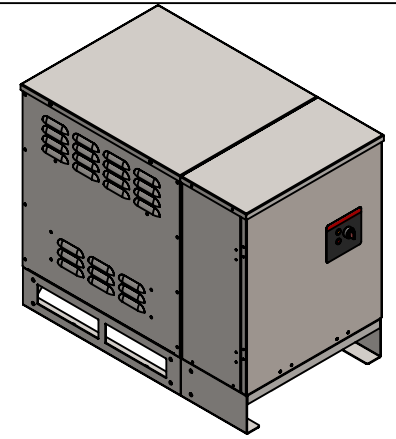
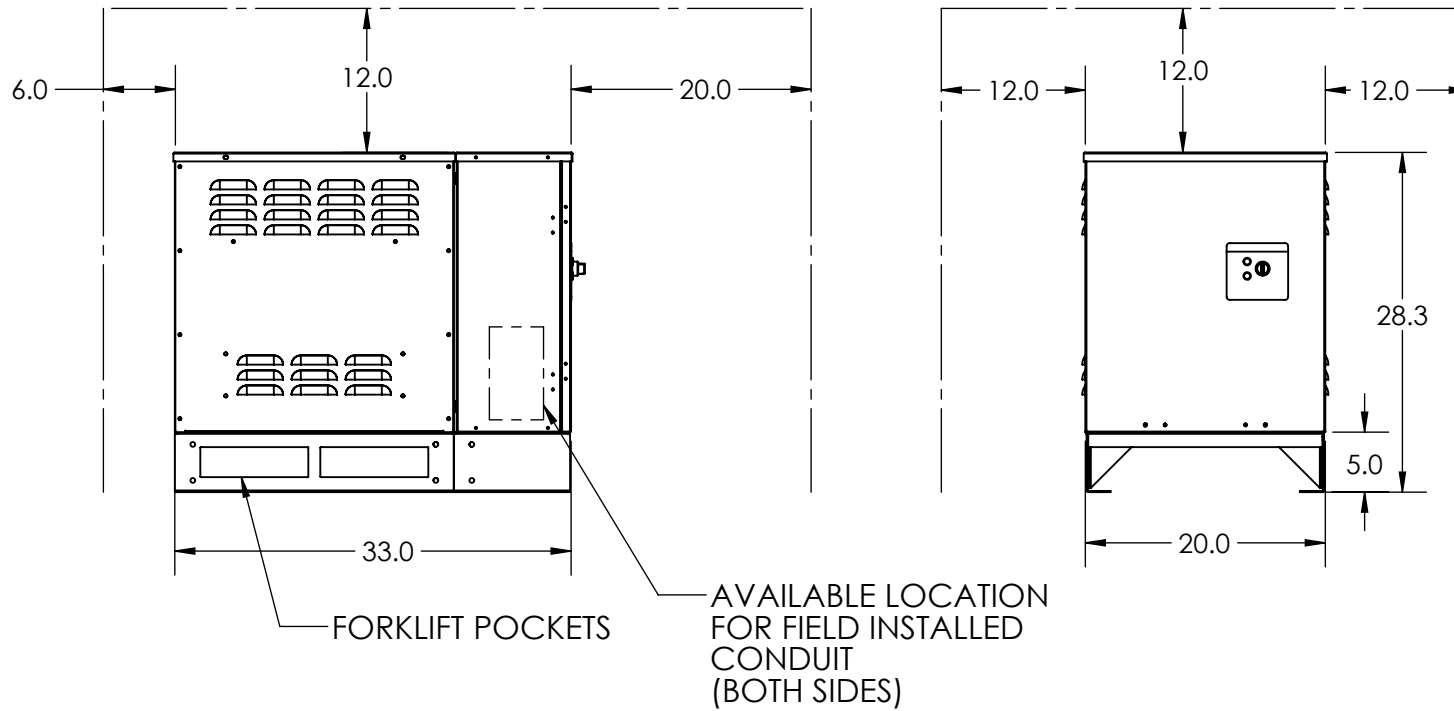


LARGE (20-75HP) AI ENCLOSURE DIMENSIONS

MIN. ENCLOSURE CLEARANCE



NOTES:

IF PLACING UNITS NEXT TO EACH OTHER LEAVE 12" CLEARANCE BETWEEN ENCLOSURES TO ALLOW PROPER AIRFLOW

ALL DIMENSIONS ARE IN INCHES

American Rotary

LARGE AI ENCLOSURE DIMENSIONS

CONFIDENTIAL

THIS DOCUMENT IS THE PROPERTY OF AMERICAN ROTARY. SUBJECT MATTER HEREIN IS CONFIDENTIAL. DO NOT USE, REPRODUCE, COPY OR DISCLOSE EXCEPT WITH WRITTEN CONSENT OF AMERICAN ROTARY

© 2015 AMERICAN ROTARY

DATE RELEASED:

8/8/2016

DRAWN BY:

ILP