



**Hammond Power Solutions Inc.**


TITLE: 3PH DISTRIBUTION TRANSFORMER  
NAMEPLATE INFORMATION

3	21/07/16	PP	EDB UPDATE	DES: JWEN
2	20/03/17	PP	SEISMIC UPDATE	DATE: 15/11/09
NO.	DATE	BY	REVISION	SCALE: NTS

SHEET 1 OF 3

EDBSC3A0030DK

3.0 Jwen 2021/07/16 12:58



**Hammond Power Solutions**  
Guelph, ONT Compton, CA

**HPS Sentinel™ G**  
Energy Efficient Distribution Transformer  
Transformateur de Distribution à Bon Rendement Énergétique

Baraboo, WI Monterrey, MX

Part No. **SG3A0030DK**

Serial No. [ ]  
No. de Serie [ ]

HV/HT [ 480Y/277V ]

BIL [ 10 kV ]

Term Bornes [ H0 H1 H2 H3 ]

LV/BT [ 240V ]

BIL [ 10 kV ]

Term Bornes [ X1 X2 X3 ]

Energy Regulations [ DOE 10 CFR PART 431:2016 ]

Reglements Énergétique [ CEE ACT SOR/2018-201 ]

Impedance % @ 170°C [ 5.3 ]

Encl. Type [ 3R ]

Type de Coffrage [ 285/130 ]

Weight lbs/kg [ ]

Hammond Power Solutions  
Guelph, ONT Compton, CA

Baraboo, WI Monterrey, MX

Part No. **SG3A0030DK**

DRY TYPE TRANSFORMER 77US E112313

LR 3902

03423112329

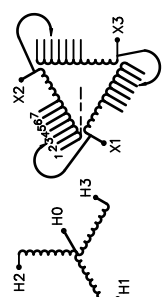
ALSO REFER TO ENERGY STANDARDS CROQ 2-18 BY UNDERWRITERS LABORATORIES INC. 0148

LISTED

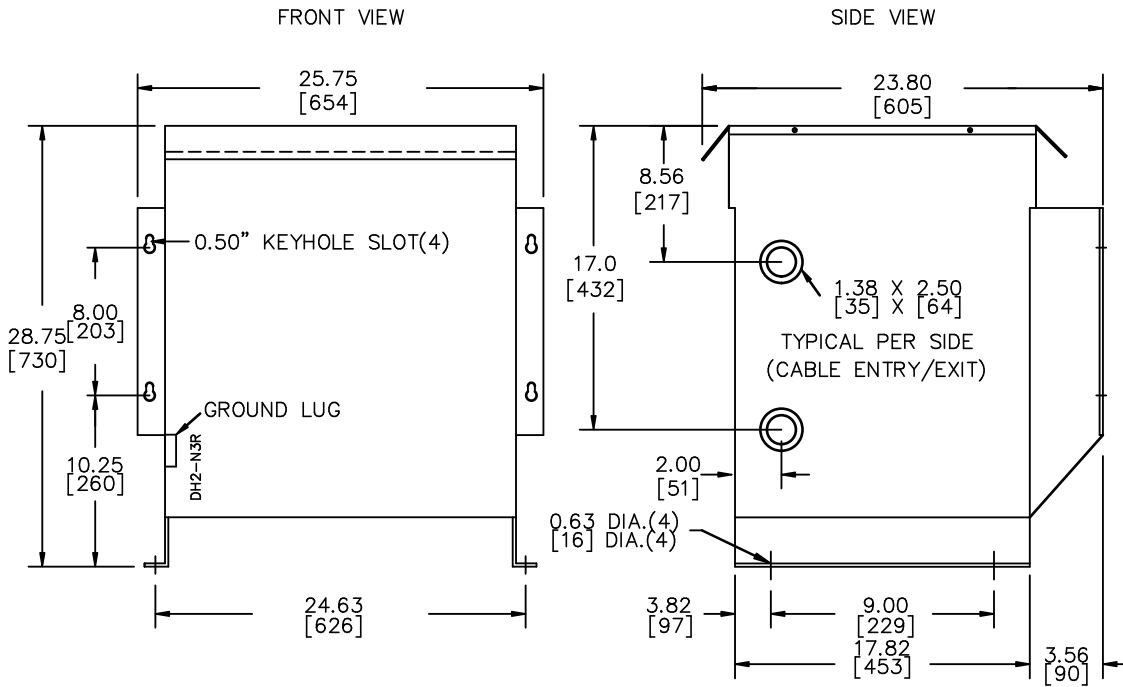
SPACINGS BETWEEN ANY VENTILATED ENCLOSURE PANEL AND ANY ADJACENT WALL SHALL BE A MINIMUM OF 3 INCHES

TRANSFORMER SUITABLE FOR STEP UP OPERATION ONLY

VOLTS	CURRENT COURANT	% RATED % TENSION NOMINALE	CONNECTION EACH PHASE CONNECTION PAR PHASE
252	68.7	105	1
246	70.4	102.5	2
240	72.2	100	3
234	74.0	97.5	4
228	76.0	95	5
222	78.0	92.5	6
216	80.2	90	7



SEISMIC QUALIFICATIONS:  
OSP=01.36-10/IBC 2018/ASCE 7-16  
SDS<=2.0g Z/h=1 Ip=1.5



All Dimensions in inches[mm]

ENCLOSURE COLOR : ANSI 61 GREY - OUTDOOR

H.V.1. TERMINAL DETAIL

L.V.1. TERMINAL DETAIL

MECHANICAL TYPE LUGS INCLUDED  
SUITABLE FOR #14-2 CU/AL  
CONDUCTORS  
1 CONDUCTOR PER PHASE

MECHANICAL TYPE LUGS INCLUDED  
SUITABLE FOR #2/0-14 CU/AL  
CONDUCTORS  
1 CONDUCTOR PER PHASE

CUSTOMER NOTES:

- HV1 TERMINATED AT BOTTOM FRONT
- LV1 TERMINATED AT TOP FRONT



TITLE: 3PH DISTRIBUTION TRANSFORMER

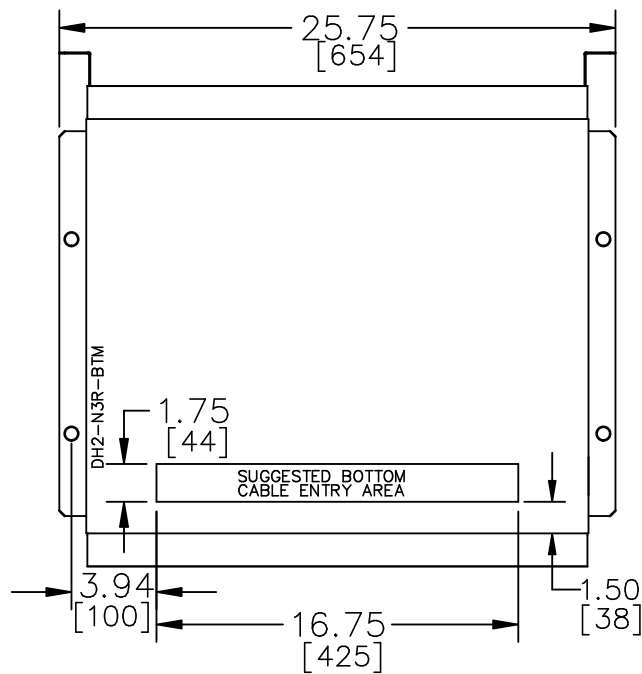
3	21/07/16	PP	EDB UPDATE	DES: JWEN
2	20/03/17	PP	SEISMIC UPDATE	DATE: 15/11/09
NO.	DATE	BY	REVISION	SCALE: NTS

SHEET 2 OF 3

EDBSC3A0030DK

3.0 Jwen 2021/07/16 12:58

ENCLOSURE BOTTOM VIEW



NOTE:  
 WHEN BOTTOM CABLE ENTRY IS OPTED, THE SPACE USED FOR CONDUITS IN THE FRONT OF THE TRANSFORMER SHOULD NOT OBSTRUCT MORE THAN 50% OF THE FRONT AIR INTAKE AREA DEFINED BETWEEN THE BOTTOM PLATE AND THE SUPPORTING LEGS.  
 SEE MANUAL FOR ADDITIONAL INFORMATION



TITLE: 3PH DISTRIBUTION TRANSFORMER  
 ENCLOSURE BOTTOM VIEW

3	21/07/16	PP	EDB UPDATE	DES: JWEN
2	20/03/17	PP	SEISMIC UPDATE	DATE: 15/11/09
NO.	DATE	BY	REVISION	SCALE: NTS

SHEET 3 OF 3

EDBSC3A0030DK

3.0 jwen 2021/07/16 12:58