



**Hammond Power Solutions Inc.**


TITLE: 3PH DISTRIBUTION TRANSFORMER  
NAMEPLATE INFORMATION

3	21/07/16	PP	EDB UPDATE	DES: JWEN
2	20/03/17	PP	SEISMIC UPDATE	DATE: 15/11/09
NO.	DATE	BY	REVISION	SCALE: NTS

SHEET 1 OF 3

EDBSC3A0045DB

3.0 Jwen 2021/07/16 13:03



**Hammond Power Solutions**  
Guelph, ONT Compton, CA

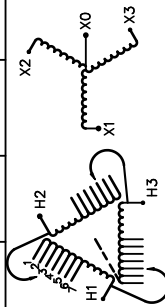
**HPS Sentinel™ G**  
Energy Efficient Distribution Transformer  
Transformateur de Distribution à Bon Rendement Énergétique

LR 3902  
DRY TYPE TRANSFORMER 77US E112313  
03423112313  
ALSO REFER TO ENERGY STANDARDS CRO20-18 BY UNDERWRITERS LABORATORIES INC. 016

Part No. **SG3A0045DB**

Cust. Ref. Ref. du Client	Serial No. No. de Serie	HV/HT	240V		
Phase	3	BIL	10 kV		
Type	K	Term Bornes	H1 H2 H3		
Cooling Refrondissement	ANN	LV/BT	208Y/120V		
kVA	45	BIL	10 kV		
Temp. Rise Échauffement	150 °C	Term Bornes	X0 X1 X2 X3		
Temp Class Classe Temp	220 °C	Energy Regulations Règlements de l'Énergétique	DOE 10 CFR PART 431:2016		
Winding Enroulement	AL	Frequency Hz	60		
Impedance % @ 170 °C	4.3	Impedance % @ 170 °C	4.3		
Encl. Type Type de Coffrage	3R	Weight lbs/kg Poids	370/168		

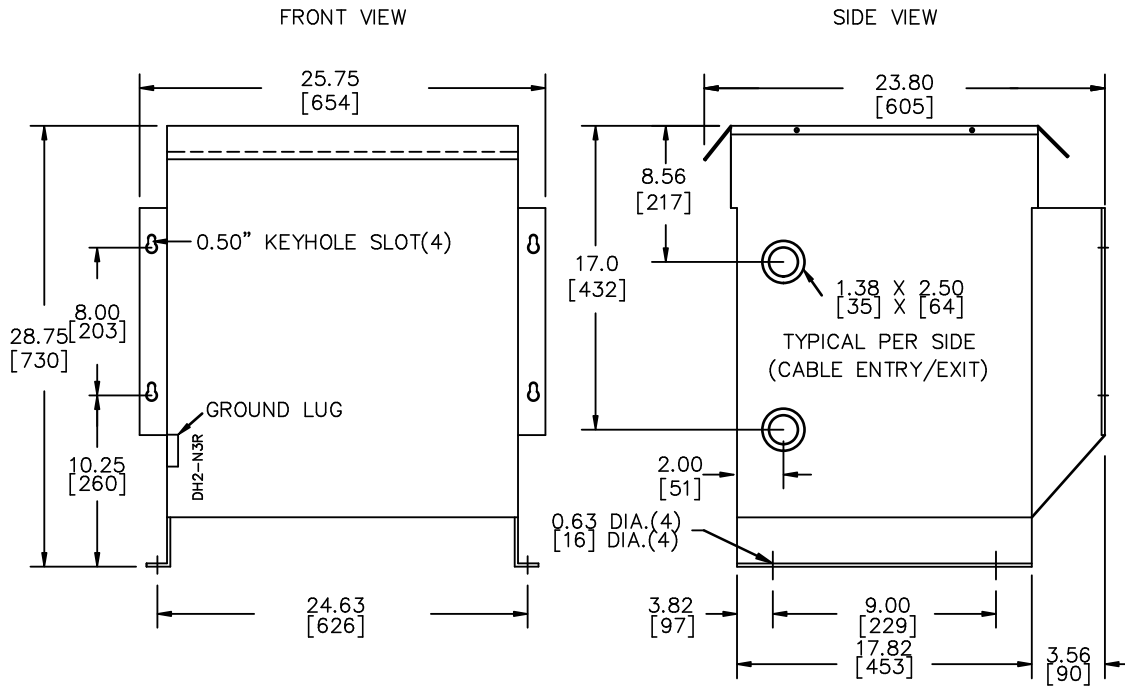
VOLTS	CURRENT COURANT	% RATED VOLTAGE % TENSION NOMINALE	CONNECTION EACH PHASE CONNECTION PAR PHASE
252	103.1	105	1
246	105.6	102.5	2
240	108.3	100	3
234	111	97.5	4
228	114	95	5
222	117	92.5	6
216	120	90	7



SPACINGS BETWEEN ANY VENTILATED ENCLOSURE PANEL AND ANY ADJACENT WALL SHALL BE A MINIMUM OF 3 INCHES

SEISMIC QUALIFICATIONS:  
OSP=01.36-10/IBC 2018/ASCE 7-16  
SDS<=2.0g Z/h=1 Ip=1.5

d000186hb



All Dimensions in inches[mm]

ENCLOSURE COLOR : ANSI 61 GREY – OUTDOOR

H.V.1. TERMINAL DETAIL

L.V.1. TERMINAL DETAIL

MECHANICAL TYPE LUGS INCLUDED  
SUITABLE FOR 250MCM-6 CU/AL  
CONDUCTORS  
1 CONDUCTOR PER PHASE

MECHANICAL TYPE LUGS INCLUDED  
SUITABLE FOR 250MCM-6 CU/AL  
CONDUCTORS  
1 CONDUCTOR PER PHASE

CUSTOMER NOTES:

- HV1 TERMINATED AT TOP FRONT
- LV1 TERMINATED AT BOTTOM FRONT



TITLE: 3PH DISTRIBUTION TRANSFORMER

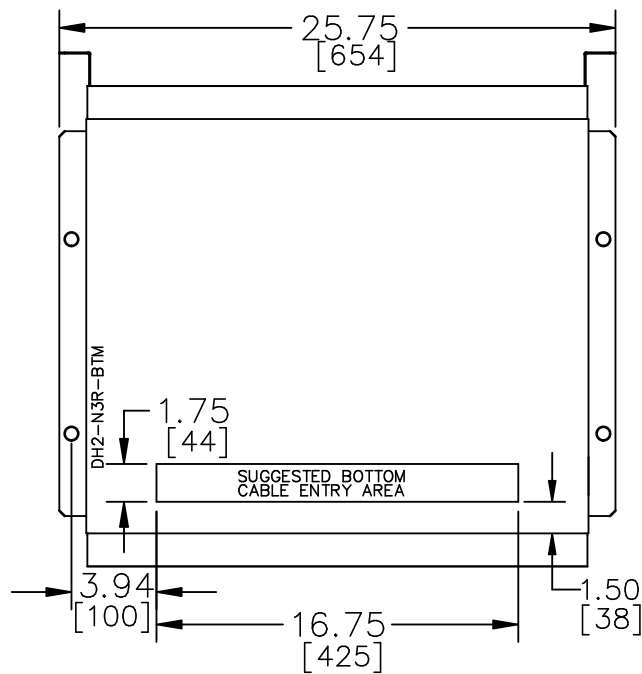
3	21/07/16	PP	EDB UPDATE	DES: JWEN
2	20/03/17	PP	SEISMIC UPDATE	DATE: 15/11/09
NO.	DATE	BY	REVISION	SCALE: NTS

SHEET 2 OF 3

EDBSC3A0045DB

3.0 wed 19/07/2016 13:02

ENCLOSURE BOTTOM VIEW



NOTE:  
 WHEN BOTTOM CABLE ENTRY IS OPTED, THE SPACE USED FOR CONDUITS IN THE FRONT OF THE TRANSFORMER SHOULD NOT OBSTRUCT MORE THAN 50% OF THE FRONT AIR INTAKE AREA DEFINED BETWEEN THE BOTTOM PLATE AND THE SUPPORTING LEGS.  
 SEE MANUAL FOR ADDITIONAL INFORMATION



TITLE: 3PH DISTRIBUTION TRANSFORMER  
 ENCLOSURE BOTTOM VIEW

3	21/07/16	PP	EDB UPDATE	DES: JWEN
2	20/03/17	PP	SEISMIC UPDATE	DATE: 15/11/09
NO.	DATE	BY	REVISION	SCALE: NTS

SHEET 3 OF 3

EDBSC3A0045DB

3.0 Wed 16/07/2016 13:02