



Hammond Power Solutions Inc.


TITLE: 3PH DISTRIBUTION TRANSFORMER
NAMEPLATE INFORMATION

3	21/07/16	PP	EDB UPDATE	DES: JWEN
2	20/03/17	PP	SEISMIC UPDATE	DATE: 15/11/09
NO.	DATE	BY	REVISION	SCALE: NTS

SHEET 1 OF 3

EDBSC3A0045DK

3.0 Jwen 2021/07/16 13:03




Hammond Power Solutions
Guelph, ONT Compton, CA


HPS Sentinel™ G
Energy Efficient Distribution Transformer
Transformateur de Distribution à Bon Rendement Énergétique

Baraboo, WI
Monterrey, MX

Part No. **SG3A0045DK**



LISTED



LISTED

DRY TYPE TRANSFORMER 77US E112313

LR 3902

0342317332

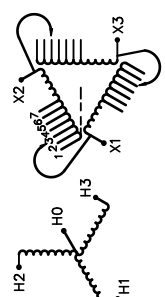
ALSO REFER TO ENERGY STANDARDS CROQ 18 BY UNDERWRITERS LABORATORIES INC. 016

SPACINGS BETWEEN ANY VENTILATED ENCLOSURE PANEL AND ANY ADJACENT WALL SHALL BE A MINIMUM OF 3 INCHES

TRANSFORMER SUITABLE FOR STEP UP OPERATION ONLY

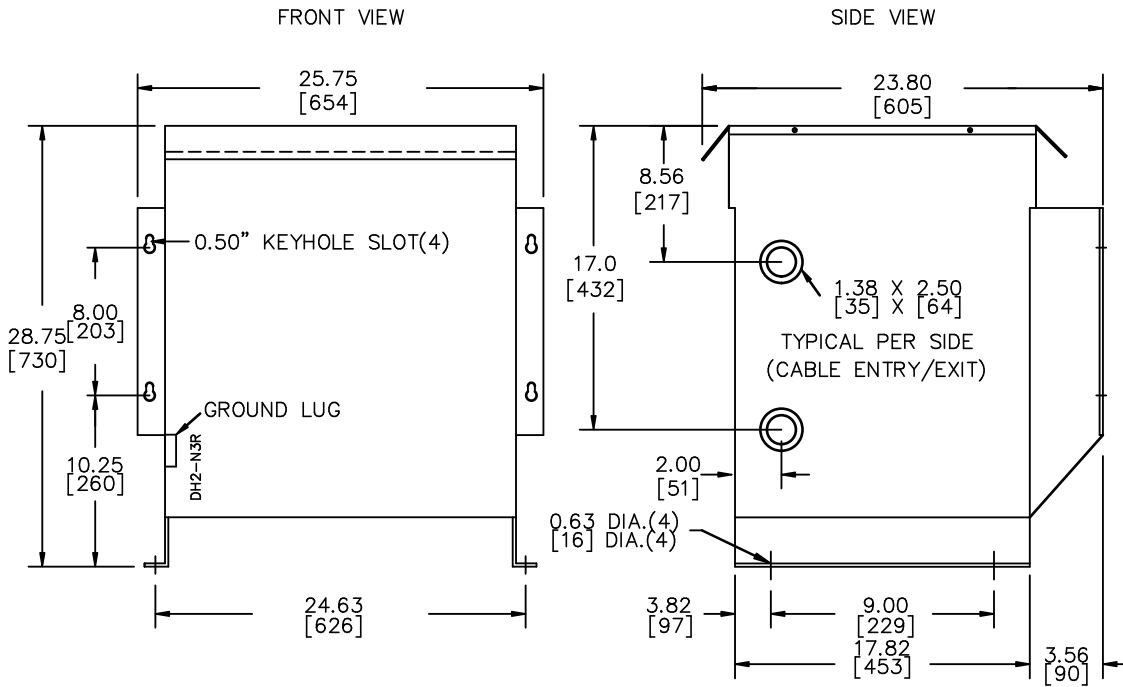
Serial No. No. de Serie	HV/HT	480Y/277V	10 kV	H0 H1 H2 H3	240V	10 kV	X1 X2 X3	DOE 10 CFR PART 431:2016
3	K	BIL	Term Bornes	LV/BT	BIL	Term Bornes	Reglements Énergétique	CEE ACT SOR/2018-201
Temp. Rise Échauffement	150 °C	Temp Class Classe Temp	220 °C	Winding Enroulement	AL	Frequency Hz	60	Impedance % @ 170 °C
Encl. Type Type de Coffrage	3R	Weight lbs/kg	345/157					

VOLTS	CURRENT COURANT	% RATED % TENSION NOMINALE	CONNECTION EACH PHASE CONNECTION PAR PHASE
252	103.1	105	1
246	105.6	102.5	2
240	108.3	100	3
234	111	97.5	4
228	114	95	5
222	117	92.5	6
216	120	90	7



SEISMIC QUALIFICATIONS:
OSP=01.36-10/IBC 2018/ASCE 7-16
SDS<=2.0g Z/h=1 Ip=1.5

d000186hb



All Dimensions in inches[mm]

ENCLOSURE COLOR : ANSI 61 GREY – OUTDOOR

H.V.1. TERMINAL DETAIL

L.V.1. TERMINAL DETAIL

MECHANICAL TYPE LUGS INCLUDED
SUITABLE FOR #14-2 CU/AL
CONDUCTORS
1 CONDUCTOR PER PHASE

MECHANICAL TYPE LUGS INCLUDED
SUITABLE FOR 250MCM-6 CU/AL
CONDUCTORS
1 CONDUCTOR PER PHASE

CUSTOMER NOTES:

- HV1 TERMINATED AT BOTTOM FRONT
- LV1 TERMINATED AT TOP FRONT



TITLE: 3PH DISTRIBUTION TRANSFORMER

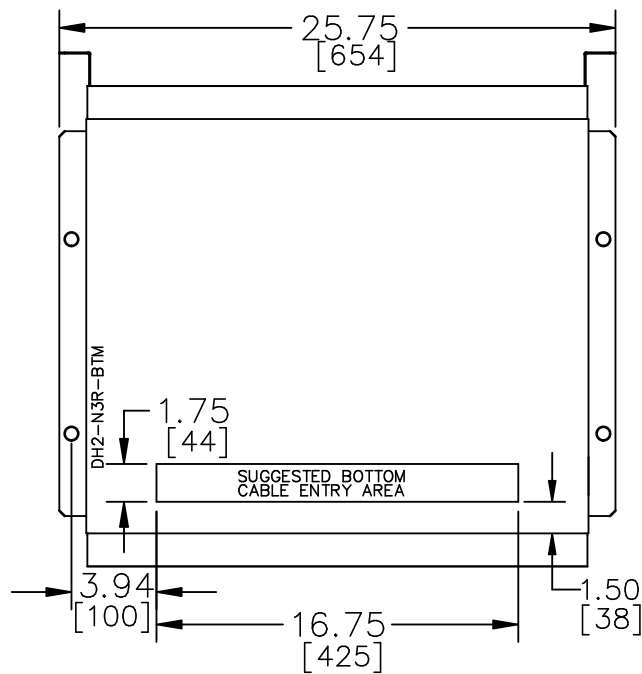
3	21/07/16	PP	EDB UPDATE	DES: JWEN
2	20/03/17	PP	SEISMIC UPDATE	DATE: 15/11/09
NO.	DATE	BY	REVISION	SCALE: NTS

SHEET 2 OF 3

EDBSC3A0045DK

3.0 wed 19/07/2016 13:03

ENCLOSURE BOTTOM VIEW



NOTE:
 WHEN BOTTOM CABLE ENTRY IS OPTED, THE SPACE USED FOR CONDUITS IN THE FRONT OF THE TRANSFORMER SHOULD NOT OBSTRUCT MORE THAN 50% OF THE FRONT AIR INTAKE AREA DEFINED BETWEEN THE BOTTOM PLATE AND THE SUPPORTING LEGS.
 SEE MANUAL FOR ADDITIONAL INFORMATION



TITLE: 3PH DISTRIBUTION TRANSFORMER
 ENCLOSURE BOTTOM VIEW

3	21/07/16	PP	EDB UPDATE	DES: JWEN
2	20/03/17	PP	SEISMIC UPDATE	DATE: 15/11/09
NO.	DATE	BY	REVISION	SCALE: NTS

SHEET 3 OF 3

EDBSC3A0045DK

3.0 Wed 20/07/16 13:03