



TITLE: 3PH DISTRIBUTION TRANSFORMER  
NAMEPLATE INFORMATION


|     |          |    |                |                |
|-----|----------|----|----------------|----------------|
| NO. | DATE     | BY | REVISION       | SCALE:         |
| 3   | 21/07/16 | PP | EDB UPDATE     | DES: JWEN      |
| 2   | 20/03/17 | PP | SEISMIC UPDATE | DATE: 15/11/09 |
|     |          |    |                | SCALE: NTS     |

SHEET 1 OF 3

EDB SG3A0075DB

3.0 httpd 2026/04/27 13:59

THIS DRAWING CONTAINS STRICTLY CONFIDENTIAL INFORMATION BELONGING TO HAMMOND POWER SOLUTIONS AND MUST NOT BE DISTRIBUTED OUTSIDE AUTHORIZED PARTIES.



**POWER SOLUTIONS**  
Guelph, ONT  
Hyderabad, IN Compton, CA

**HPS Sentinel™ G**  
Energy Efficient Distribution Transformer  
Transformateur de Distribution à Bon Rendement Énergétique

Baraboo, WI  
Monterrey, MX

Part No. **SG3A0075DB**

Serial No. [ ]  
No. de Serie [ ]

Phase **3**

Type **K**

Cooling **ANN**  
Refrédissement

kVA **75**

Temp. Rise **150 °C**  
Échauffement

Temp Class **220 °C**  
Classe Temp

Winding **AL**  
Enroulement

Frequency **60**  
Fréquence Hz

Impedance **5.3**  
% @ 170 °C

Encl. Type **3R**  
Type de Coffrage

Weight **585**  
Poids lbs

HV/HT **240V**

BIL **180A**

Term Bornes **10 kV**

LV/BT **H1 H2 H3**

BIL **208Y/120V 208A**


Term Bornes **10 kV**

Regulations **X0 X1 X2 X3**

Energy Reglements **DOE 10 CFR PART 431:2016**  
Énergétique

CEE ACT SOR/2018-201

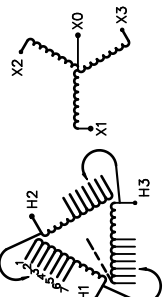
DRY TYPE TRANSFORMER  
77US  
E112313



LISTED

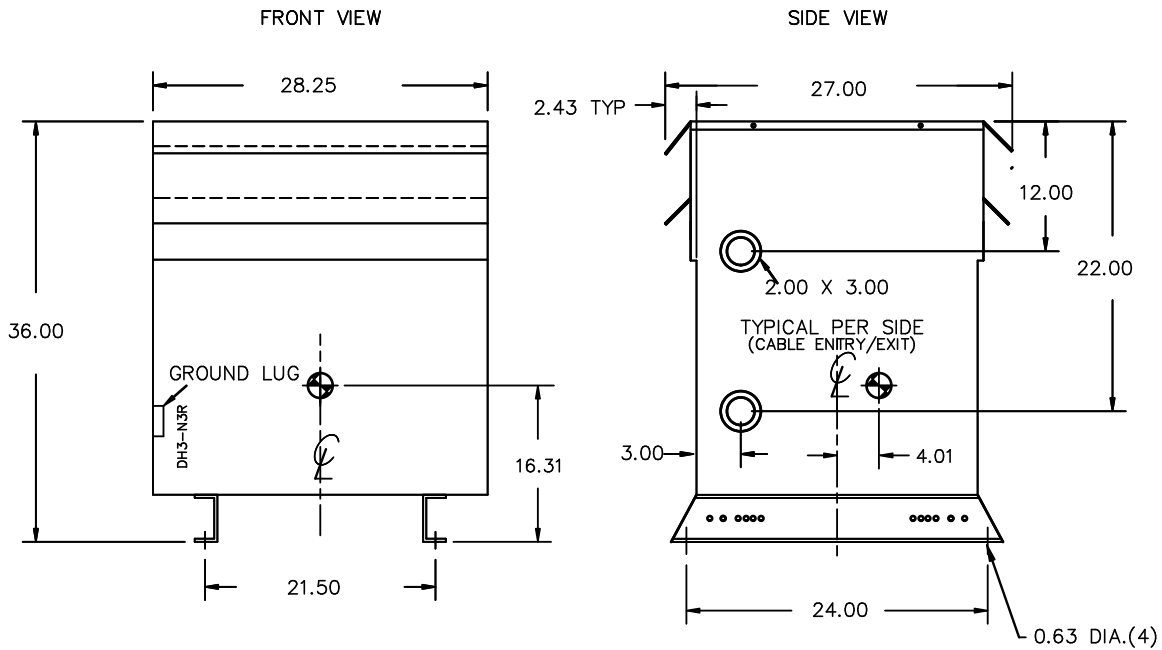
SPACINGS BETWEEN ANY VENTILATED ENCLOSURE PANEL AND ANY ADJACENT WALL SHALL BE A MINIMUM OF 3 INCHES

| VOLTS | CURRENT<br>COURANT | % RATED<br>VOLTAGE<br>TENSION<br>NOMINALE | CONNECTION<br>EACH PHASE<br>CONNECTION<br>PAR PHASE |
|-------|--------------------|---|---|
| 252   | 172                | 105                                       | 1   |
| 246   | 176                | 102.5                                     | 2   |
| 240   | 180                | 100                                       | 3   |
| 234   | 185                | 97.5                                      | 4   |
| 228   | 190                | 95  | 5   |
| 222   | 195                | 92.5                                      | 6   |
| 216   | 200                | 90  | 7   |



SEISMIC QUALIFICATIONS:  
AS FLOOR MOUNT ONLY  
IBC 2018/ASCE 7-16  
SDS<=2.0g Z/h=1 Ip=1.5

d000186hb



All Dimensions in inches

ENCLOSURE COLOR :ANSI 61 GREY – OUTDOOR

H.V.1. TERMINAL DETAIL

L.V.1. TERMINAL DETAIL

MECHANICAL TYPE LUGS INCLUDED  
SUITABLE FOR 350MCM-6 CU/AL  
CONDUCTORS  
1 CONDUCTOR PER PHASE

MECHANICAL TYPE LUGS INCLUDED  
SUITABLE FOR 600MCM-2 CU/AL  
CONDUCTORS  
1 CONDUCTOR PER PHASE

CUSTOMER NOTES:

- HV1 TERMINATED AT TOP FRONT
- LV1 TERMINATED AT BOTTOM FRONT



TITLE: 3PH DISTRIBUTION TRANSFORMER

|     |          |    |                |                |
|-----|----------|----|----------------|----------------|
| 3   | 21/07/16 | PP | EDB UPDATE     | DES: JWEN      |
| 2   | 20/03/17 | PP | SEISMIC UPDATE | DATE: 15/11/09 |
| NO. | DATE     | BY | REVISION       | SCALE: NTS     |

SHEET 2 OF 3

EDBSC3A0075DB

ENCLOSURE BOTTOM VIEW



NOTE:  
 WHEN BOTTOM CABLE ENTRY IS OPTED, THE SPACE USED FOR CONDUITS IN THE FRONT OF THE TRANSFORMER SHOULD NOT OBSTRUCT MORE THAN 50% OF THE FRONT AIR INTAKE AREA DEFINED BETWEEN THE BOTTOM PLATE AND THE SUPPORTING LEGS.  
 SEE MANUAL FOR ADDITIONAL INFORMATION



TITLE: 3PH DISTRIBUTION TRANSFORMER  
 ENCLOSURE BOTTOM VIEW

|     |          |    |                |                |
|-----|----------|----|----------------|----------------|
| 3   | 21/07/16 | PP | EDB UPDATE     | DES: JWEN      |
| 2   | 20/03/17 | PP | SEISMIC UPDATE | DATE: 15/11/09 |
| NO. | DATE     | BY | REVISION       | SCALE: NTS     |

SHEET 3 OF 3

EDBSC3A0075DB