



TITLE: 3PH DISTRIBUTION TRANSFORMER
NAMEPLATE INFORMATION


| | | | |
|-----|----------|----|----------------|
| NO. | DATE | BY | REVISION |
| 3 | 21/07/16 | PP | EDB UPDATE |
| 2 | 20/03/17 | PP | SEISMIC UPDATE |
| | | | DES: JWEN |
| | | | DATE: 15/11/09 |
| | | | SCALE: NTS |

SHEET 1 OF 3

EDBSC3A0075DK

3.0 httpd 2026/04/27 14:02

THIS DRAWING CONTAINS STRICTLY CONFIDENTIAL INFORMATION BELONGING TO HAMMOND POWER SOLUTIONS AND MUST NOT BE DISTRIBUTED OUTSIDE AUTHORIZED PARTIES.



POWER SOLUTIONS
Guelph, ONT
Hyderabad, IN Compton, CA

HPS Sentinel™ G
Energy Efficient Distribution Transformer
Transformateur de Distribution à Bon Rendement Énergétique

Baraboo, WI
Monterrey, MX

Part No. **SG3A0075DK**

Cust. Ref. _____
Ref. du Client _____

Phase **3**

Type **K**

Cooling **ANN**
Refrédissement

kVA **75**

Temp. Rise **150 °C**
Échauffement

Temp Class **220 °C**
Classe Temp

Winding **AL**
Enroulement

Frequency **60**
Fréquence Hz

Impedance **4.7**
% @ 170 °C

Encl. Type **3R**
Type de Coffrage

Weight **585**
Poids lbs

Serial No. _____
No. de Serie _____

HV/HT **480Y/277V** **90.2A**

BIL **10 kV**

Term Bornes **H0 H1 H2 H3**

LV/BT **240V** **180A**

BIL **10 kV**

Term Bornes **X1 X2 X3**

Energy Regulations **DOE 10 CFR PART 431:2016**

Reglements de l'Energétique **CEE ACT SOR/2018-201**

DRY TYPE TRANSFORMER
77US
E112313

LR 3902

03423172335

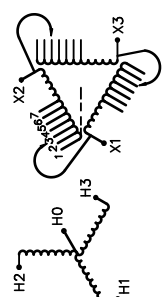
ALSO REFER TO ENERGY STANDARDS C900-18
BY UNDERWRITERS LABORATORIES INC. 0148

LISTED

SPACINGS BETWEEN ANY VENTILATED ENCLOSURE PANEL AND ANY ADJACENT WALL SHALL BE A MINIMUM OF 3 INCHES

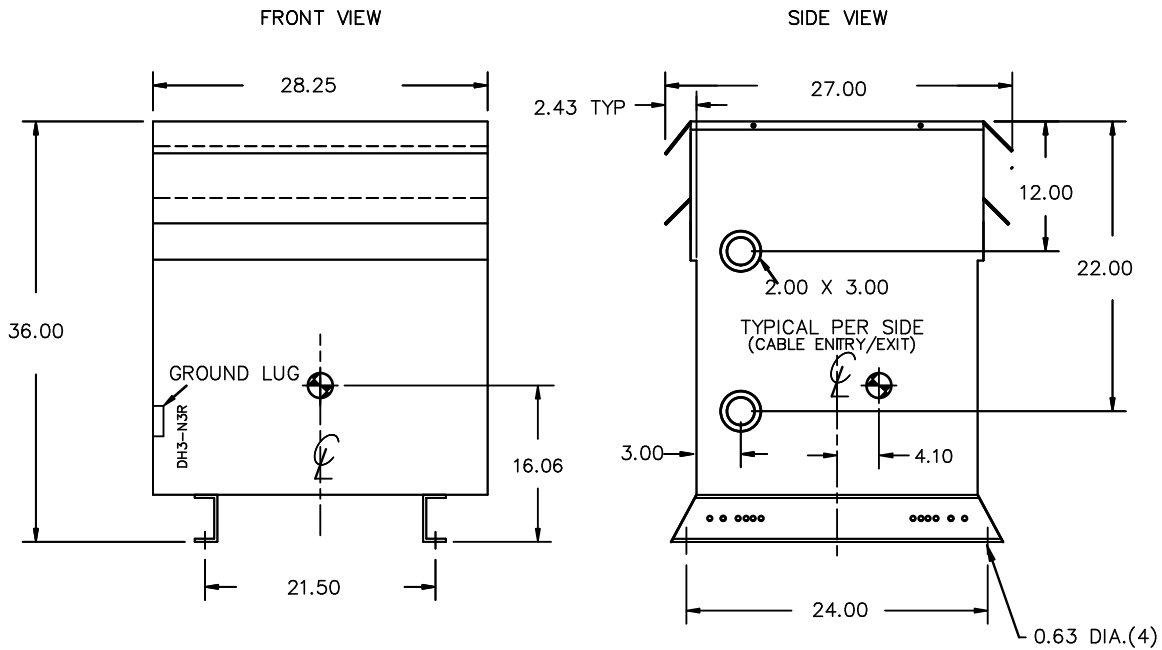
TRANSFORMER SUITABLE FOR STEP UP OPERATION ONLY

| VOLTS | CURRENT COURANT | % RATED % TENSION NOMINALE | CONNECTION EACH PHASE CONNECTION PAR PHASE |
|-------|--------------------|----------------------------------|---|
| 252 | 172 | 105 | 1 |
| 246 | 176 | 102.5 | 2 |
| 240 | 180 | 100 | 3 |
| 234 | 185 | 97.5 | 4 |
| 228 | 190 | 95 | 5 |
| 222 | 195 | 92.5 | 6 |
| 216 | 200 | 90 | 7 |



SEISMIC QUALIFICATIONS:
AS FLOOR MOUNT ONLY
IBC 2018/ASCE 7-16
SDS<=2.0g Z/h=1 Ip=1.5

d000186hb



All Dimensions in inches

ENCLOSURE COLOR :ANSI 61 GREY – OUTDOOR

H.V.1. TERMINAL DETAIL

L.V.1. TERMINAL DETAIL

MECHANICAL TYPE LUGS INCLUDED
SUITABLE FOR #2/0-14 CU/AL
CONDUCTORS
1 CONDUCTOR PER PHASE

MECHANICAL TYPE LUGS INCLUDED
SUITABLE FOR 350MCM-6 CU/AL
CONDUCTORS
1 CONDUCTOR PER PHASE

CUSTOMER NOTES:

- HV1 TERMINATED AT BOTTOM FRONT
- LV1 TERMINATED AT TOP FRONT



TITLE: 3PH DISTRIBUTION TRANSFORMER

| | | | | |
|-----|----------|----|----------------|----------------|
| 3 | 21/07/16 | PP | EDB UPDATE | DES: JWEN |
| 2 | 20/03/17 | PP | SEISMIC UPDATE | DATE: 15/11/09 |
| NO. | DATE | BY | REVISION | SCALE: NTS |

SHEET 2 OF 3

EDBSC3A0075DK

ENCLOSURE BOTTOM VIEW



NOTE:
 WHEN BOTTOM CABLE ENTRY IS OPTED, THE SPACE USED FOR CONDUITS IN THE FRONT OF THE TRANSFORMER SHOULD NOT OBSTRUCT MORE THAN 50% OF THE FRONT AIR INTAKE AREA DEFINED BETWEEN THE BOTTOM PLATE AND THE SUPPORTING LEGS.
 SEE MANUAL FOR ADDITIONAL INFORMATION



TITLE: 3PH DISTRIBUTION TRANSFORMER
 ENCLOSURE BOTTOM VIEW

| | | | | |
|-----|----------|----|----------------|----------------|
| 3 | 21/07/16 | PP | EDB UPDATE | DES: JWEN |
| 2 | 20/03/17 | PP | SEISMIC UPDATE | DATE: 15/11/09 |
| NO. | DATE | BY | REVISION | SCALE: NTS |

SHEET 3 OF 3

EDBSC3A0075DK