



Hammond
Power Solutions

GUELPH, ONT. BARABOO, WI COMPTON, CA MONTERREY, MX



LR 3902

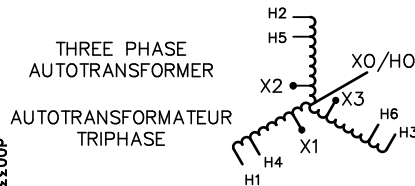


DRY TYPE
TRANSFORMER
252L
E50394

LISTED

THREE PHASE DRY TYPE AUTOTRANSFORMER
AUTOTRANSFORMATEUR SEC TRIPHASÉ

HV/HT	240Y/139V 216Y/125V				Cust. Ref. Réf. du client	
BIL	-				Serial No. No. de série	
TERM. BORNES	H0 H1 H2 H3 H4 H5 H6	Part No. No. de pièce		Y009CECB3LOU		
	VOLTS	CURRENT COURANT	% RATED VOLTAGE % TENSION NOMINALE	CONNECTION EACH PHASE CONNEXION PAR PHASE	kVA	9.0
	240Y/139V 216Y/125V	21.7 24.1		H0 H1-H2-H3 H0 H4-H5-H6	TYPE	QT
LV/BT	208Y/120V		25A		Cooling Refroidissement	ANC
BIL	-				Temp. Rise Echauffement	80 °C
TERM. BORNES	X0 X1 X2 X3	Impédance % @ 100 °C		2.3		
		Encl. Type Type de boîtier		3R		
		Wt LBS Poids en lbs.		49		
		Winding Enroulement		COPPER		



VOLTAGES SHOWN ARE FOR 3 PHASE,
4 WIRE SYSTEMS. NEUTRAL AND GROUND
CONNECTIONS SHOULD BE MADE IN
ACCORDANCE WITH LOCAL ELECTRICAL
CODE AND STANDARDS REQUIREMENTS

0003303b1

HAM3074



Hammond Power
Solutions Inc.

TITLE: 3 PH ENCAPSULATED AUTO TRANSFORMER
NAMEPLATE INFORMATION

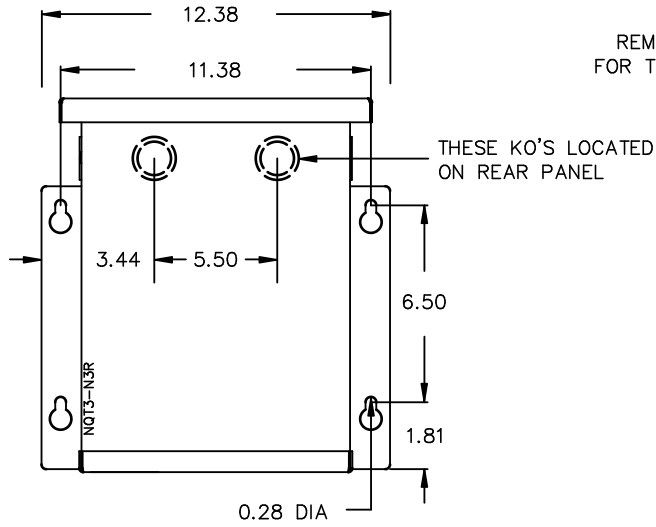
DES:	WWONG		
DATE:	16/08/10		
SCALE:	NTS		
NO.	DATE	BY	REVISION

SHEET 1 OF 2

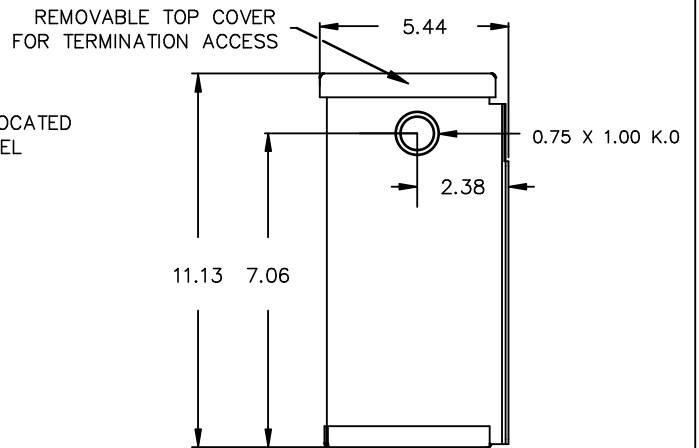
EDB Y009CECB3LOU

0.0 w Wong 2017/07/07 17:36

FRONT VIEW



SIDE VIEW



All Dimensions in inches

ENCLOSURE COLOR : ANSI 61 GREY – OUTDOOR

CUSTOMER NOTES:



Hammond Power Solutions Inc.

TITLE: 3 PH ENCAPSULATED AUTO TRANSFORMER

				DES: WWONG
				DATE: 16/08/10
NO.	DATE	BY	REVISION	SCALE: NTS

SHEET 2 OF 2

EDB Y009CFB310U

0.0 wong 2017/07/07 17:36