



Hammond
Power Solutions

GUELPH, ONT. BARABOO, WI COMPTON, CA MONTERREY, MX



LR 3902



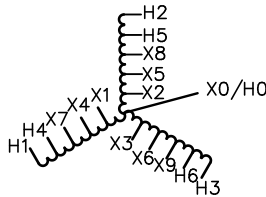
DRY TYPE
TRANSFORMER
252L
E50394

LISTED

THREE PHASE DRY TYPE AUTOTRANSFORMER
AUTOTRANSFORMATEUR SEC TRIPHASÉ

HV/HT	600Y/346V 480Y/277V				Cust. Ref. Réf. du client	
BIL	-				Serial No. No. de série	
TERM. BORNES	H0 H1 H2 H3 H4 H5 H6				Part No. No. de pièce	Y009QTCF3LOU
	VOLTS	CURRENT COURANT	% RATED VOLTAGE % TENSION NOMINALE	CONNECTION EACH PHASE CONNEXION PAR PHASE	kVA	9
	600Y/346V 480Y/277V	8.7 10.8		H0 H1-H2-H3 H0 H4-H5-H6	TYPE	QT
	400Y/231V 240Y/139V 208Y/120V	13.0 21.7 25.0		X0 X7-X8-X9 X0 X4-X5-X6 X0 X1-X2-X3	Cooling Refroidissement	ANC
LV/BT	208Y/120V 240Y/139V 400Y/231V				Temp. Rise Echauffement	115 °C
BIL	-				Temp. Class Classe de Temp.	180 °C
TERM. BORNES	X0 X1 X2 X3 X4 X5 X6 X7 X8 X9				Frequency Fréquence	60 Hz
					Impédance % @ 135 °C	2.2
					Encl. Type Type de boîtier	3R
					Wt LBS Poids en lbs.	138
					Winding Enroulement	COPPER

VOLTAGES SHOWN ARE FOR 3 PHASE,
4 WIRE SYSTEMS. NEUTRAL AND GROUND
CONNECTIONS SHOULD BE MADE IN
ACCORDANCE WITH LOCAL ELECTRICAL
CODE AND STANDARDS REQUIREMENTS



0003303b1

HAM3656



8 03423 13775 5



Hammond Power
Solutions Inc.

TITLE: 3 PH ENCAPSULATED AUTO TRANSFORMER
NAMEPLATE INFORMATION

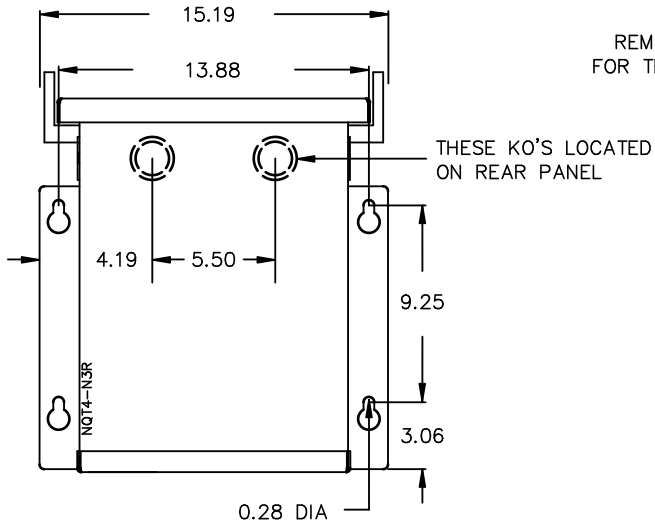
DES:	WWONG		
DATE:	16/08/10		
SCALE:	NTS		
NO.	DATE	BY	REVISION

SHEET 1 OF 2

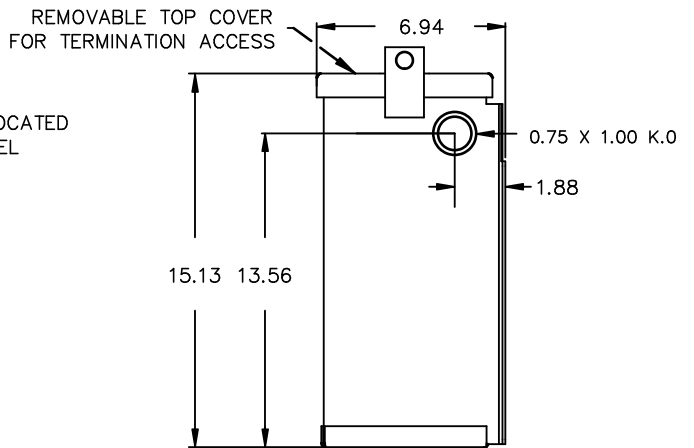
E0B Y009QTCF3LOU

0.0 wong 2017/07/07 18:13

FRONT VIEW



SIDE VIEW



All Dimensions in inches

ENCLOSURE COLOR :ANSI 61 GREY – OUTDOOR

CUSTOMER NOTES:



Hammond Power Solutions Inc.

TITLE: 3 PH ENCAPSULATED AUTO TRANSFORMER

				DES: WWONG
				DATE: 16/08/10
NO.	DATE	BY	REVISION	SCALE: NTS

SHEET 2 OF 2

EDB Y009Q1CF 310U

0.0 w Wong 2017/07/07 18:13