



Hammond
Power Solutions

GUELPH, ONT. BARABOO, WI COMPTON, CA MONTERREY, MX



LR 3902

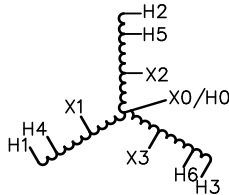


DRY TYPE
TRANSFORMER
252L
E50394

LISTED

THREE PHASE DRY TYPE AUTOTRANSFORMER
AUTOTRANSFORMATEUR SEC TRIPHASÉ

HV/HT	240Y/139V 216Y/125V				Cust. Ref. Réf. du client	
BIL	-				Serial No. No. de série	
TERM. BORNES	H0 H1 H2 H3 H4 H5 H6	Part No. No. de pièce		Y015CECB3LOU		
	VOLTS	CURRENT COURANT	% RATED VOLTAGE % TENSION NOMINALE	CONNECTION EACH PHASE CONNEXION PAR PHASE	kVA	15
	240Y/139V 216Y/125V	36.1 40.1		H0 H1-H2-H3 H0 H4-H5-H6	TYPE	QT
LV/BT	208Y/120V		41.6A		Cooling Refroidissement	ANC
BIL	-				Temp. Rise Echauffement	80 °C
TERM. BORNES	X0 X1 X2 X3	Impédance % @ 100 °C		2.3		
		Encl. Type Type de boîtier		3R		
		Wt LBS Poids en lbs.		67		
		Winding Enroulement		COPPER		



VOLTAGES SHOWN ARE FOR 3 PHASE,
4 WIRE SYSTEMS. NEUTRAL AND GROUND
CONNECTIONS SHOULD BE MADE IN
ACCORDANCE WITH LOCAL ELECTRICAL
CODE AND STANDARDS REQUIREMENTS

000303b1

HAM3598A



Hammond Power
Solutions Inc.

TITLE: 3 PH ENCAPSULATED AUTO TRANSFORMER
NAMEPLATE INFORMATION

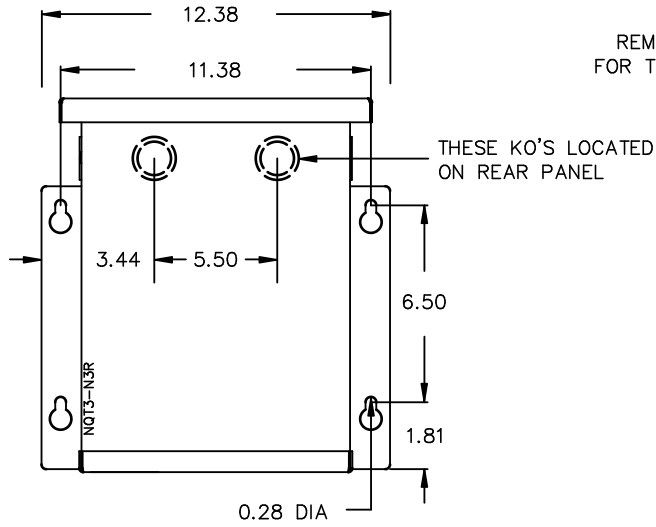
DES:	LCEN		
DATE:	13/02/11		
SCALE:	NTS		
NO.	DATE	BY	REVISION

SHEET 1 OF 2

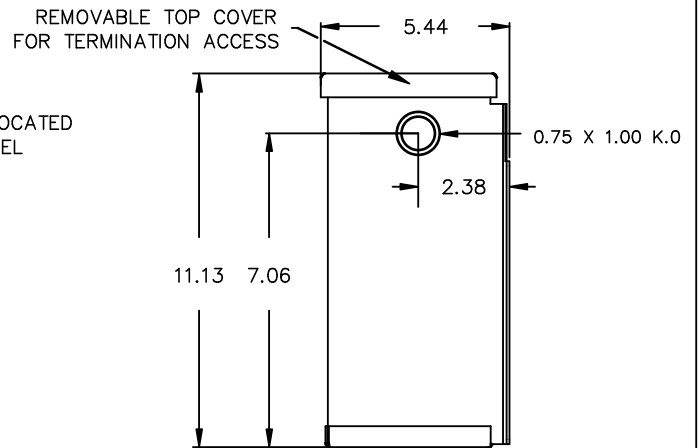
E015CECB3LOU

0.5 wong 2017/07/07 17:44

FRONT VIEW



SIDE VIEW



All Dimensions in inches

ENCLOSURE COLOR : ANSI 61 GREY – OUTDOOR

CUSTOMER NOTES:



TITLE: 3 PH ENCAPSULATED AUTO TRANSFORMER

				DES: LCEN
				DATE: 13/02/11
NO.	DATE	BY	REVISION	SCALE: NTS

SHEET 2 OF 2

EDB Y0156ECB310U

0.5 wong 2017/07/07 17:44