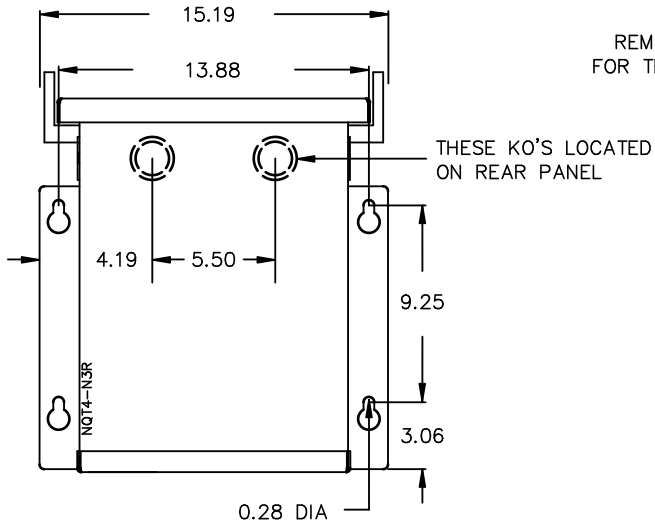
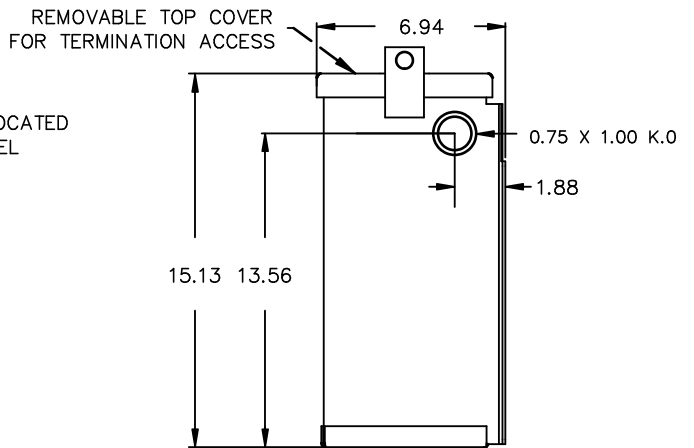


FRONT VIEW



SIDE VIEW



All Dimensions in inches

ENCLOSURE COLOR :ANSI 61 GREY – OUTDOOR

CUSTOMER NOTES:



Hammond Power Solutions Inc.

TITLE: 3 PH ENCAPSULATED AUTO TRANSFORMER

				DES: LCEN
				DATE: 16/02/18
NO.	DATE	BY	REVISION	SCALE: NTS

SHEET 2 OF 2

EDB Y030CECF 310U

0.1 wong 2017/07/07 17:38