



Hammond  
Power Solutions

GUELPH, ONT. BARABOO, WI COMPTON, CA MONTERREY, MX



LR 3902

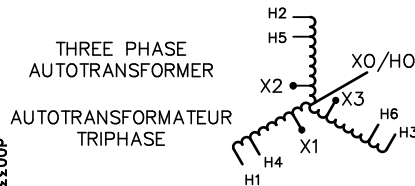


DRY TYPE  
TRANSFORMER  
252L  
E50394

LISTED

THREE PHASE DRY TYPE AUTOTRANSFORMER  
AUTOTRANSFORMATEUR SEC TRIPHASÉ

HV/HT	240Y/139V 216Y/125V				Cust. Ref. Réf. du client	
BIL	-				Serial No. No. de série	
TERM. BORNES	H0 H1 H2 H3 H4 H5 H6	Part No. No. de pièce		Y045CECF3LOU		
	VOLTS	CURRENT COURANT	% RATED VOLTAGE % TENSION NOMINALE	CONNECTION EACH PHASE CONNEXION PAR PHASE	kVA	45
	240Y/139V 216Y/125V	108.3 120.3		H0 H1-H2-H3 H0 H4-H5-H6	TYPE	QT
LV/BT	208Y/120V		125A			
BIL	-				Temp. Rise Echauffement	115 °C
TERM. BORNES	X0 X1 X2 X3	Temp. Class Classe de Temp.		180 °C		
		Impédance % @ 135 °C		.55		
		Encl. Type Type de boîtier		3R		
		Wt LBS Poids en lbs.		130		
		Winding Enroulement		COPPER		



000303b1

HAM3074

VOLTAGES SHOWN ARE FOR 3 PHASE,  
4 WIRE SYSTEMS. NEUTRAL AND GROUND  
CONNECTIONS SHOULD BE MADE IN  
ACCORDANCE WITH LOCAL ELECTRICAL  
CODE AND STANDARDS REQUIREMENTS



Hammond Power  
Solutions Inc.

TITLE: 3 PH ENCAPSULATED AUTO TRANSFORMER  
NAMEPLATE INFORMATION

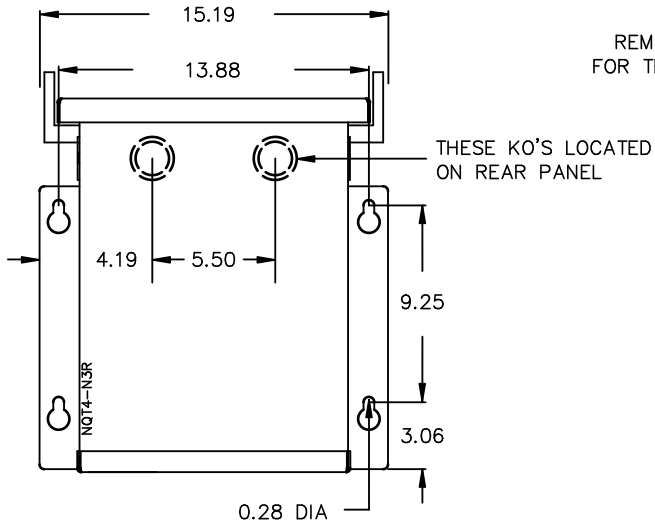
DES:	WWONG		
DATE:	16/08/10		
SCALE:	NTS		
NO.	DATE	BY	REVISION

SHEET 1 OF 2

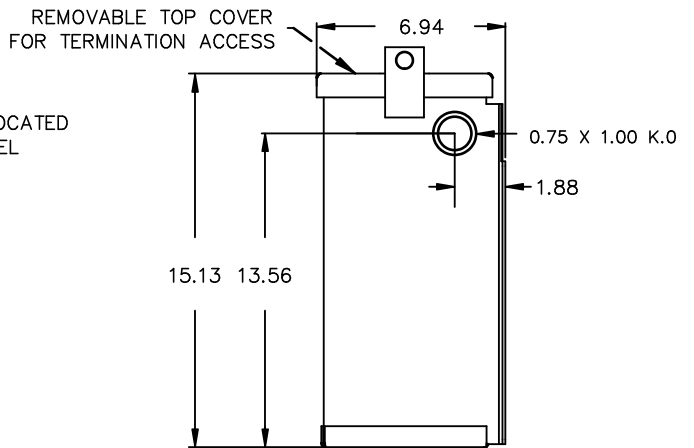
EDB Y045CECF3LOU

0.0 wong 2017/07/07 17:38

FRONT VIEW



SIDE VIEW



All Dimensions in inches

ENCLOSURE COLOR :ANSI 61 GREY – OUTDOOR

CUSTOMER NOTES:



TITLE: 3 PH ENCAPSULATED AUTO TRANSFORMER

				DES: WWONG
				DATE: 16/08/10
NO.	DATE	BY	REVISION	SCALE: NTS

SHEET 2 OF 2

EDB Y045CECF 310U

0.0 w Wong 2017/07/07 17:38