



Hammond
Power Solutions

GUELPH, ONT. BARABOO, WI COMPTON, CA MONTERREY, MX

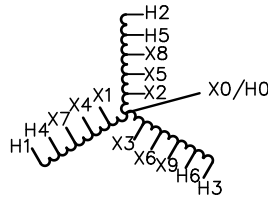


® LR 3902
DRY TYPE
TRANSFORMER
77U5
E112513

LISTED

THREE PHASE DRY TYPE AUTOTRANSFORMER
AUTOTRANSFORMATEUR SEC TRIPHASÉ

HV/HT	600Y/346V 480Y/277V			Cust. Ref. Réf. du client	
BIL	-			Serial No. No. de série	
TERM. BORNES	H0 H1 H4 H2 H5 H3 H6			Part No. No. de pièce	Y112QTCH3LOU
	VOLTS	CURRENT COURANT	% RATED VOLTAGE % TENSION NOMINALE	CONNECTION EACH PHASE CONNEXION PAR PHASE	kVA
	600Y/346V 480Y/277V	108.3 135		H0 H1 H2 H3 H0 H4 H5 H6	112.5
	400Y/231V 240Y/139V 208Y/120V	162.3 270.6 312.3		X0 X7 X8 X9 X0 X4 X5 X6 X0 X1 X2 X3	TYPE
					K
					Cooling Refroidissement
					ANN
					Temp. Rise Echauffement
					150 °C
					Temp. Class Classe de Temp.
					220 °C
					Frequency Fréquence
					60 Hz
					Impédance % @ 170 °C
					2.6
LV/BT	208Y/120V 240Y/139V 400Y/231V			Encl. Type Type de boîtier	3R
BIL	-			Wt LBS Poids en lbs.	585
TERM. BORNES	X0 X1 X4 X7 X2 X5 X8 X3 X6 X9			Winding Enroulement	CU



0003302b1

HAM3656

SPACINGS BETWEEN ANY VENTILATED ENCLOSURE PANEL AND ANY ADJACENT WALL SHALL BE A MINIMUM OF 5 INCHES EXCEPT WHEN WALL MOUNTED USING APPROVED WALL MOUNTING KIT

VOLTAGES SHOWN ARE FOR 3 PHASE, 4 WIRE SYSTEMS. NEUTRAL AND GROUND CONNECTIONS SHOULD BE MADE IN ACCORDANCE WITH LOCAL ELECTRICAL CODE AND STANDARDS REQUIREMENTS



8 03423 13779 3



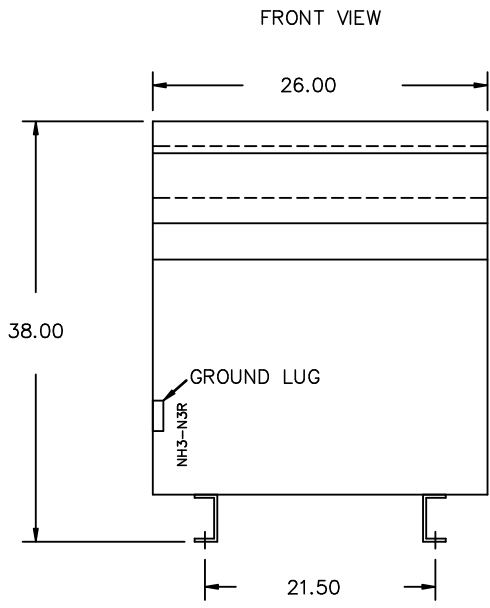
Hammond Power
Solutions Inc.

TITLE: 3PH AUTO TRANSFORMER
NAMEPLATE INFORMATION

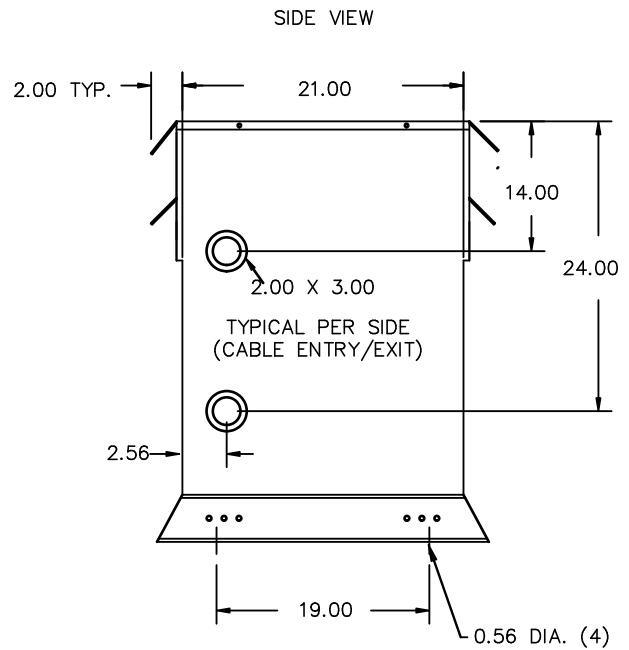
1	15/12/21	GP	CHANGED NPL VER:	DES: RMOVVA
				DATE: 13/02/19
NO.	DATE	BY	REVISION	SCALE: NTS

SHEET 1 OF 2

EDBY112QTCH3LOU



All Dimensions in inches



ENCLOSURE COLOR :ANSI 61 GREY- OUTDOOR

H.V.1. TERMINAL DETAIL

L.V.1. TERMINAL DETAIL

L.V.2. TERMINAL DETAIL

MECHANICAL TYPE LUGS INCLUDED
SUITABLE FOR 250MCM-6 CU/AL
CONDUCTORS
1 CONDUCTOR PER PHASE

MECHANICAL TYPE LUGS INCLUDED
SUITABLE FOR 350MCM-6 CU/AL
CONDUCTORS
2 CONDUCTORS PER PHASE

MECHANICAL TYPE LUGS INCLUDED
SUITABLE FOR 600MCM-2 CU/AL
CONDUCTORS
1 CONDUCTOR PER PHASE

CUSTOMER NOTES:

- HV1 TERMINATED AT TOP FRONT
- LV1 TERMINATED AT BOTTOM FRONT
- LV2 TERMINATED AT BOTTOM FRONT



TITLE: 3PH AUTO TRANSFORMER				
1	15/12/21	GP	CHANGED NPL VER:	DES: RMOVVA
				DATE: 13/02/19
NO.	DATE	BY	REVISION	SCALE: NTS

SHEET 2 OF 2

EDBY1120TCH3100

1.0 wong 2017/07/07 14:34